

**GS1 standards in the logistic:
Logistic information flow with EANCOM® 2002
Version 2.3**

**Return Announcement
(RETANN)**

EANCOM® 2002 Syntax 3

Introduction.....	2
Business Terms	4
Branching Diagram	6
Message structure	10
Segment Layout	11
Used Codes.....	43
Example.....	88

Introduction

Introduction

The aim of the brochure on hand is to offer documentation describing the exchange of purchase order data between business partners.

The basis of this elaboration is the international standard EANCOM® 2002. The message type RETANN 003 is used to transmit relevant data. GEFEG.FX (Gefeg mbH, Berlin) was used as the documentation tool.

Please be aware to know that this booklet does not replace the complete specifications in the original chapters or other relevant instructions within the EANCOM® 2002 documentation. Instead, it deals with the description of segments, data elements and codes to be used for a specific task.

The current documentation has been produced by the GS1 Germany GmbH in Cologne. GS1 Germany assumes no liability for any damages incurring from the use of this documentation. This brochure or extracts thereof may only be published or forwarded to third parties with the express written consent of GS1 Germany, which holds copyright on this work.

Important note:

To fulfill the requirements of directive 2003/58/EG, article 4, C058 has been opened in NAD segments identifying a message sender. If the place in the 5 DE 3124 is not sufficient, the following RFF segments can be used, qualified with DE 1153 = GN. DE 1154 has got a capacity of 70 digits. Only in those cases, when no RFF segment follows NAD, a RFF+GN can be used in the heading section of the message. Within the EDI recommendations of GS1 Germany this is only applicable for the messages REMADV and SLSFCT.

This brochure offers different ways to start:

"Introduction" contains a short description of the respective message.

"Business Terms", is a table which links directly to the sequence numbers of the segments.

"Diagram", is a hierarchical graphic depiction of all used segments in the same sequence as they are defined in the EANCOM® message. However, every segment is shown only once, and it is therefore possible that the sequence numbering is interrupted.

"Structure", is a list of all used segments in the same sequence as they are defined in the EANCOM® message. In general, for each piece of information one single segment is provided. Exeptions may arise when the the occurrence of a segment is limited and can contain alternative information (e.g., segment BGM).

"Segmentlayout", an illustration that has been chosen to match the business terms (data from the inhouse application) with the elements from the EANCOM® syntax.

"Codes" contains a list of the codes used in the message.

"Examples", provides at least one message example with comments. Please note that, for technical reasons, the examples can contain component data element separators, which would otherwise be represented as data element separators in the original messages.

"Print" opens the PDF documentation for the corresponding message.

The following conventions apply to this brochure:

Introduction

Message structure

Heading section

Specification of buyer an supplier, message date and number.

Detail section

Specification of SSCC to identify shipments and quantity.

Summary section

Specification of totals of the message.

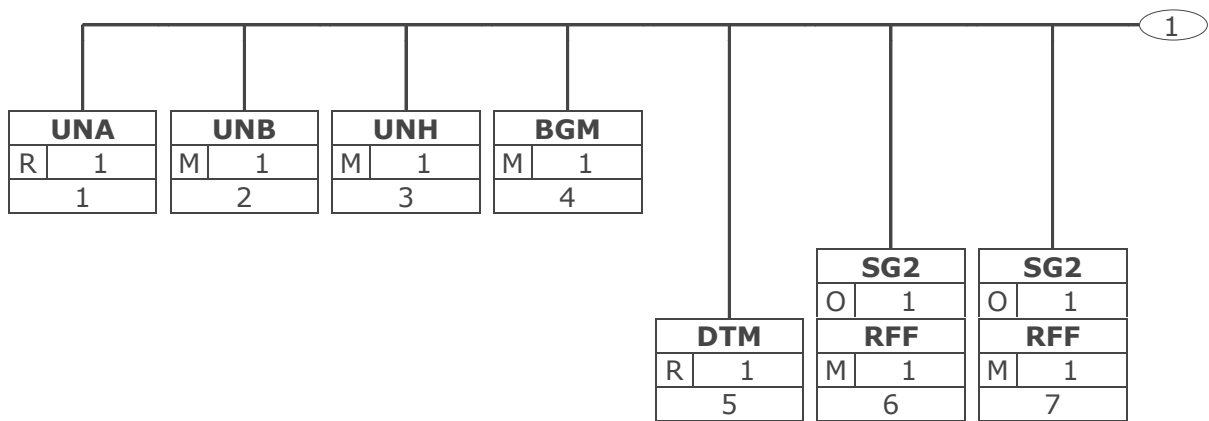
Business Terms

Business Term	EANCOM-Segment		Data Element	
	Seg.-No.	Segment SG	DEG	DE
Acknowledgement request	2	UNB		0031
Address for reverse routing	2	UNB	S002	0008
Application reference	2	UNB		0026
Character set	2	UNB	S001	0001
Component data element separator	1	UNA		UNA1
Country of the consignor, coded	12	NAD SG3#3		3207
Creation date	5	DTM	C507	2380
Data element separator	1	UNA		UNA2
Decimal notation	1	UNA		UNA3
Delivery place	18	LOC SG11#1	C517	3225
Document Number	4	BGM	C106	1004
EANCOM	2	UNB		0032
End of the transmission file	29	UNZ		0036
File creation date	2	UNB	S004	0017
File creation time	2	UNB	S004	0019
Former delivery note number	7	RFF SG2#2	C506	1154
Former delivery note number	22	RFF SG11#1\SG15#2	C506	1154
Former despatch advice number	6	RFF SG2#1	C506	1154
Former despatch advice number	21	RFF SG11#1\SG15#1	C506	1154
Gross weight of the position	16	MEA SG11#1	C174	6314
GTIN article number	13	LIN SG11#1	C212	7140
Identification of buyer	11	NAD SG3#2	C082	3039
Identification of supplier	9	NAD SG3#1	C082	3039
Identification of the receiver of the transmission file	2	UNB	S003	0010
Identification of the sender of the transmission file	2	UNB	S002	0004
Interchange control reference, beginning	2	UNB		0020
Interchange control reference, end	29	UNZ		0020
Line item number	13	LIN SG11#1		1082
Location of goods	17	LOC SG11#1	C517	3225
Message reference number	3	UNH		0062
Name 2 of the consignor	12	NAD SG3#3	C080	3036
Name 3 of the consignor	12	NAD SG3#3	C080	3036
Name of the consignor	12	NAD SG3#3	C080	3036
Number of messages or message groups	29	UNZ		0036
Number of packages	24	PAC SG11#1\SG18#1		7224
Number of pallet places	15	MEA SG11#1	C174	6314
Order number (buyer)	8	RFF SG2#3	C506	1154
Order number (buyer)	23	RFF SG11#1\SG15#3	C506	1154

Business Terms

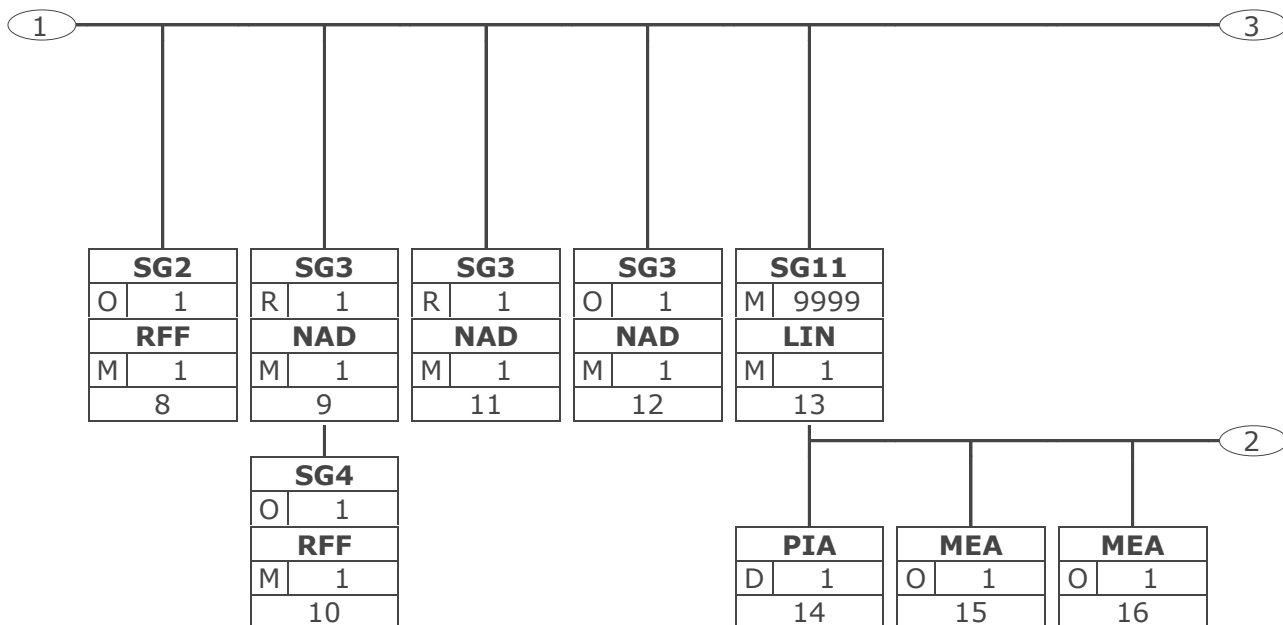
Business Term	EANCOM-Segment		Data Element	
	Seg.-No.	Segment SG	DEG	DE
Package identification type	25	PCI SG11#1\SG18#1\SG19#1		4233
Password interchange	2	UNB	S005	0022
Place of the consignor - name of a city (town, village) for addressing purposes.	12	NAD SG3#3		3164
Postcode of the consignor	12	NAD SG3#3		3251
Reasons for return, code	20	CDI SG11#1\SG13#1	C564	7007
Release character	1	UNA		UNA4
Reserved for future use	1	UNA		UNA5
Return quantity	19	QTY SG11#1\SG13#1	C186	6060
Routing address	2	UNB	S003	0014
Segment terminator	1	UNA		UNA6
Serial Shipping Container Code (SSCC)	26	GIN SG11#1\SG18#1\SG19#1	C208	7402
Ship from / Place of loading	12	NAD SG3#3	C082	3039
Statements on business letters	10	RFF SG3#1\SG4#1	C506	1154
Street and number of the consignor	12	NAD SG3#3	C059	3042
Supplier's article number	14	PIA SG11#1	C212	7140
Syntax version	2	UNB	S001	0002
Test indicator	2	UNB		0035
Total number of segments	28	UNT		0074
Unit of measurement	19	QTY SG11#1\SG13#1	C186	6411

Branching Diagram



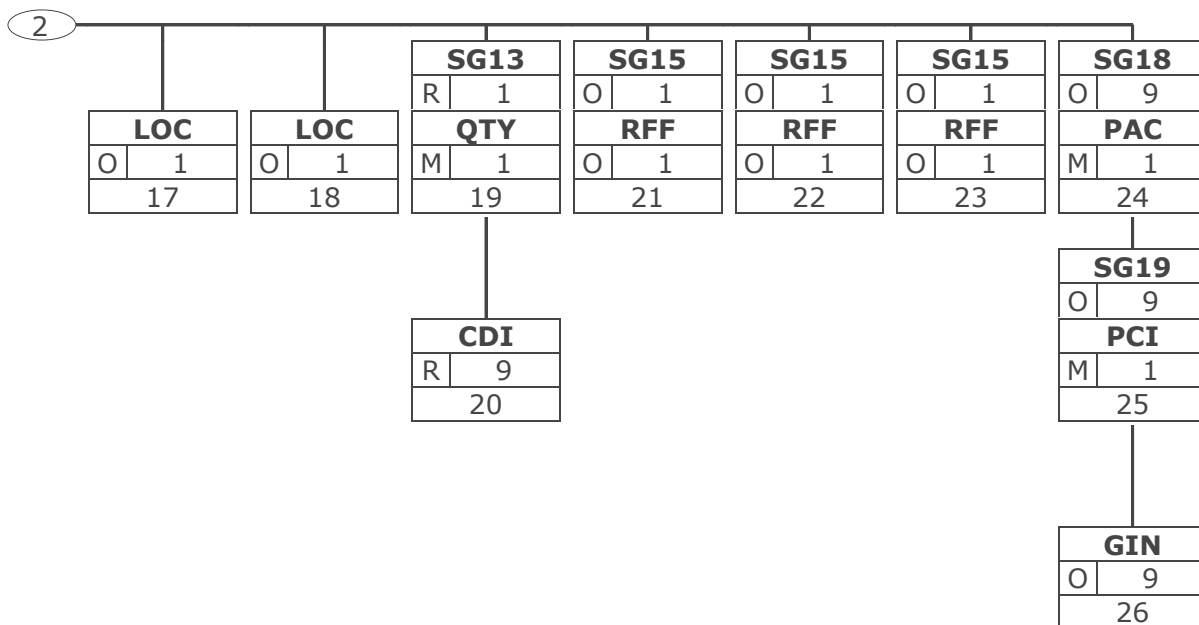
Tag	Tag = Segment/Group Tag
St MaxOcc	St = Status (M=Mandatory, C=Conditional, R=Required, O=Optional, A=Advised, D=Dependent)
No	MaxOcc = Maximum occurrence of the segment/group; No = Consecutive segment number

Branching Diagram



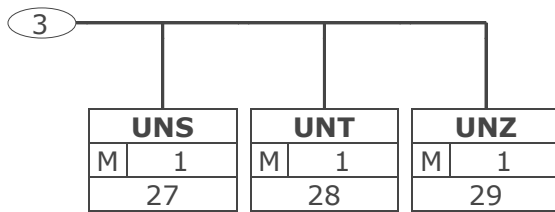
Tag	Tag = Segment/Group Tag
St MaxOcc	St = Status (M=Mandatory, C=Conditional, R=Required, O=Optional, A=Advised, D=Dependent)
No	MaxOcc = Maximum occurrence of the segment/group; No = Consecutive segment number

Branching Diagram



Tag	Tag = Segment/Group Tag
St MaxOcc	St = Status (M=Mandatory, C=Conditional, R=Required, O=Optional, A=Advised, D=Dependent)
No	MaxOcc = Maximum occurrence of the segment/group; No = Consecutive segment number

Branching Diagram



Tag	Tag = Segment/Group Tag	
St	MaxOcc	St = Status (M=Mandatory, C=Conditional, R=Required, O=Optional, A=Advised, D=Dependent)
No	MaxOcc = Maximum occurrence of the segment/group; No = Consecutive segment number	

Message Structure

Seg.	No.	Status	Max Occ	Segment
UNA	1	R	1	Used character set
UNB	2	M	1	Beginning of transmission file
Heading Section				
UNH	3	M	1	Beginn of message
BGM	4	M	1	Document number
DTM	5	R	1	Creation date
SG2		O	1	RFF
RFF	6	M	1	Former despatch advice number
SG2		O	1	RFF
RFF	7	M	1	Former delivery note number
SG2		O	1	RFF
RFF	8	M	1	Order number (buyer)
SG3		R	1	NAD-SG4
NAD	9	M	1	Identification of supplier
SG4		O	1	RFF
RFF	10	M	1	Statements on business letters
SG3		R	1	NAD
NAD	11	M	1	Identification of buyer
SG3		O	1	NAD
NAD	12	M	1	Identification of the consignor and place of loading
Detail Section				
SG11		M	9999	LIN-PIA-MEA-MEA-LOC-LOC-SG13-SG15-SG15-SG15-SG18
LIN	13	M	1	GTIN article number
PIA	14	D	1	Suppliers article number
MEA	15	O	1	Number of pallet places
MEA	16	O	1	Gross weight of the position
LOC	17	O	1	Location of goods
LOC	18	O	1	Place of delivery
SG13		R	1	QTY-CDI
QTY	19	M	1	Return quantity
CDI	20	R	9	Reason for returns
SG15		O	1	RFF
RFF	21	O	1	Former despatch advice number
SG15		O	1	RFF
RFF	22	O	1	Former delivery note number
SG15		O	1	RFF
RFF	23	O	1	Order number (buyer)
SG18		O	9	PAC-SG19
PAC	24	M	1	Number of packages
SG19		O	9	PCI-GIN
PCI	25	M	1	Marking with SSCC
GIN	26	O	9	Serial Shipping Container Code (SSCC)
Summary Section				
UNS	27	M	1	Section control
UNT	28	M	1	End of message
UNZ	29	M	1	End of the transmission file

Max. Occ. = Maximum occurrence of the segment/group, Status: M=Mandatory, C=Conditional, R=Required, O=Optional, A=Advised, D=Dependent

Segment Layout

No. Seg	St	Max. Occ.			
1		R 1	UNA Service string advice		
To define the characters selected for use as delimiters and indicators in the rest of the interchange that follows.					
Business Term	DE	EDIFACT	Format	St	* Description
Component data element separator	UNA1	Component data element separator	an1	M	Default value: ":"
Data element separator	UNA2	Data element separator	an1	M	Default value: "+"
Decimal notation	UNA3	Decimal notation	an1	M	Default value: "."
Release character	UNA4	Release indicator	an1	M	Default value: "?"
Reserved for future use	UNA5	Reserved for future use	an1	M	(Default value: space)
Segment terminator	UNA6	Segment terminator	an1	M	Default value: "' '
<p>Segmentstatus: Mandatory</p> <p>The use of the UNA segment is mandatory, if character set "A" (UNB,DE0001) is not used. For international EDI the use of character set UNOA is recommended. For national (German) EDI the use of UNOC is reasonable because it contains lower case letters and umlauts.</p> <p>Example: UNA:+.?' '</p> <p>The UNA segment contains the default service string characters.</p>					

Max. Occ. = Maximum Occurrence, St = Status, * = Restricted Codes
 Status: M=Mandatory, R=Required, O=Optional, D=Dependent, A=Advised, N=Not used

Segment Layout

No. Seg	St	Max. Occ.				
2	UNB	M 1	Interchange header To start, identify and specify an interchange.			
Business Term	DE	EDIFACT	Format	St	*	Description
	S001	Syntax identifier		M		
Character set	0001	Syntax identifier	a4	M		UNOA UN/ECE level A UNOB UN/ECE level B UNOC UN/ECE level C UNOD UN/ECE level D UNOE UN/ECE level E UNOF UN/ECE level F
Syntax version	0002	Syntax version number	n1	M	*	3 Version 3
	S002	Interchange sender		M		
Indentification of the sender of the transmission file	0004	Sender identification	an..35	M		= Global Location Number (GLN)
	0007	Partner identification code qualifier	an..4	R	*	14 GS1
Address for reverse routing	0008	Address for reverse routing	an..14	O		See note
	S003	Interchange recipient		M		
Indentification of the receiver of the transmission file	0010	Recipient identification	an..35	M		= Global Location Number (GLN)
	0007	Partner identification code qualifier	an..4	R	*	14 GS1
Routing address	0014	Routing address	an..14	O		See note
	S004	Date/time of preparation		M		
File creation date	0017	Date of preparation	n6	M		= Dateformat JJMMTT
File creation time	0019	Time of preparation	n4	M		= Timeformat HHMM
Interchange control reference, beginnig	0020	Interchange control reference	an..14	M		= Unique senders reference
	S005	Recipient's reference, password		O		
Password interchange	0022	Recipient's reference/ password	an..14	M		
	0025	Recipient's reference/ password qualifier	an2	O	*	AA Reference BB Password
Application reference	0026	Application reference	an..14	O		Message type if the transmission fole contains only one message type
	0029	Processing priority code	a1	O	*	A Highest priority
Acknowledgement request	0031	Acknowledgement request	n1	O		
EANCOM	0032	Communications agreement ID	an..35	R		= EANCOM... EDIFACT subset identification (see note)
Test indicator	0035	Test indicator	n1	O	*	1 Interchange is a test

Max. Occ. = Maximum Occurrence, St = Status, * = Restricted Codes
Status: M=Mandatory, R=Required, O=Optional, D=Dependent, A=Advised, N=Not used

Segment Layout

Segmentstatus: Mandatory

For international EDI the use of character set UNOA is recommended. For national (German) EDI the use of UNOC is reasonable because it contains lower case letters and umlauts.

Note DE 0008:

The address for reverse routing is provided by the interchange sender to inform the interchange recipient of the address within the sender's (source) system to which responding interchanges must be sent. It is recommended that the GLN be used for this purpose.

Note DE 0014:

The routing address is used to identify the receiver, if a provider adds service values for the actual receiver (e.g. consolidated companies, corporate group). The use of the identification system (e.g. GLN) has to be agreed bilaterally.

Note DE 0020:

This data element must contain a consistent sequential number per interchange between sender and receiver of the transmission.

Note DE 0032:

This data element is used to identify any underlying agreements which control the exchange of data. Within EANCOM, the identity of such agreements must start with the letters 'EANCOM', the remaining characters within the data element being filled according to bilateral agreements.

Example: UNB+UNOC:3+4012345000009:14:4012345000018+4000004000002:14:4000004000099+161013:1043+4711+REF:AA+++EANCOM+1'

The EANCOM file 4711 dated 13.10.2016, 10 h 43 is sent by the issuer identified with GLN 4012345000009 to the receiver identified with GLN 4000004000002.

Max. Occ. = Maximum Occurrence, St = Status, * = Restricted Codes

Status: M=Mandatory, R=Required, O=Optional, D=Dependent, A=Advised, N=Not used

Segment Layout

No. Seg	St	Max. Occ.				
3	UNH	M 1	Message header To head, identify and specify a message.			
Business Term	DE	EDIFACT	Format	St	*	Description
Message reference number	0062	Message reference number	an..14	M		Senders unique message reference. Sequence number of the messages in the interchange. DE 0062 in the UNT will be identical. Sender generated, e.g. ME000001.
	S009	Message identifier		M		
	0065	Message type	an..6	M	*	RETANN Announcement for returns message
	0052	Message version number	an..3	M	*	D Draft version/ UN/EDIFACT Directory
	0054	Message release number	an..3	M	*	01B Release 2001 - B
	0051	Controlling agency	an..2	M	*	UN UN/CEFACT
	0057	Association assigned code	an..6	R	*	EAN003 GS1 version control number (GS1 Permanent Code) Indicates that the message is the EANCOM version 003 of the UNSM Announcement For Returns.
<p>Segmentstatus: Mandatory This segment is used to head, identify and specify a message. DE's 0065, 0052, and 0054: Indicate that the message is a UNSM Announcement For Returns message based on the D.01B directory.</p> <p>Example: UNH+ME000001+RETANN:D:01B:UN:EAN003' The reference number of the RETANN message is ME000001.</p>						

Max. Occ. = Maximum Occurrence, St = Status, * = Restricted Codes
 Status: M=Mandatory, R=Required, O=Optional, D=Dependent, A=Advised, N=Not used

Segment Layout

No. Seg	St	Max. Occ.				
4	BGM	M 1	Beginning of message To indicate the type and function of a message and to transmit the identifying number.			
Business Term	DE	EDIFACT	Format	St	*	Description
	C002	Document/message name		R		
	1001	Document name code	an..3	R	*	70E Announcement for returns (GS1 Temporary Code)
	1131	Code list identification code	an..17	N		
	3055	Code list responsible agency code	an..3	R	*	9 GS1
	C106	Document/message identification		R		
Document Number	1004	Document identifier	an..35	R		Announcement number assigned by the document sender.
	1225	Message function code	an..3	R	*	<p>1 Cancellation 5 Replace 9 Original</p> <p>The message function, coded is a critical data element in this segment. It applies to all data indicated in the message. Consequently, one separate message has to be provided per type of function required. The following definitions apply for the restricted codes: 1 = Cancellation - Cancel the original transport instruction message (original transport instruction reference specified in RFF SG3). When a transport instruction message is being cancelled all mandatory data (at message and detail levels) must be sent again for the message being cancelled which is identified using the RFF segment in group 3. 5 = Replace - Cancel the original transport instruction message and replace with this transport instruction message (original transport instruction reference is specified in RFF SG3). When a transport instruction message is being replaced all data pertaining to the consignment must be sent again for the message being replaced which is identified</p>

Max. Occ. = Maximum Occurrence, St = Status, * = Restricted Codes
Status: M=Mandatory, R=Required, O=Optional, D=Dependent, A=Advised, N=Not used

Segment Layout

Business Term	DE	EDIFACT	Format	St	*	Description
						using the RFF segment in group 3. 9 = Original - Original transmission of the transport instruction message.
<p>Segmentstatus: Mandatory This segment is used to indicate the type and function of a message and to transmit the identifying number. All references other than the document number DE 1004 are to be put in the RFF segment.</p> <p>Example: BGM+70E::9+87441+9' The Document Number is 87441.</p>						

Max. Occ. = Maximum Occurrence, St = Status, * = Restricted Codes
Status: M=Mandatory, R=Required, O=Optional, D=Dependent, A=Advised, N=Not used

Segment Layout

No.	Seg	St	Max.	Occ.			
5	DTM	R	1		Date/time/period To specify date, and/or time, or period.		
Business Term	DE	EDIFACT	Format	St	*	Description	
	C507	Date/time/period		M			
	2005	Date or time or period function code qualifier	an..3	M	*	137 Document/ message date/ time	
Creation date	2380	Date or time or period value	an..35	R			
	2379	Date or time or period format code	an..3	R		102 CCYYMMDD 203 CCYYMMDDHHMM	
<p>Segmentstatus: Mandatory Identification of the 'Document/message date/time' (code value 137) is mandatory in the invoice message.</p> <p>Example: <code>DTM+137:20160823:102'</code> The document date is the 23th of August 2016.</p> <p>Example: <code>DTM+137:201701100800:203'</code> The document date is the 23th of August 2016, 8 o'clock.</p>							

Max. Occ. = Maximum Occurrence, St = Status, * = Restricted Codes
 Status: M=Mandatory, R=Required, O=Optional, D=Dependent, A=Advised, N=Not used

Segment Layout

No.	Seg	St	Max.	Occ.		
6	SG2	O	1		RFF	
	RFF	M	1		Reference	
To specify a reference.						
Business Term	DE	EDIFACT	Format	St	*	Description
	C506	Reference		M		
	1153	Reference code qualifier	an..3	M	*	AAK Despatch advice number
Former despatch advice number	1154	Reference identifier	an..70	R		
<p>Segmentstatus: Optional This segment is used to specify any references valid for the complete announcement for returns message. This segment is used to reference the despatch advice number (DESADV). Example: RFF+AAK:4710' The message references to despatch advice number 4710.</p>						

Max. Occ. = Maximum Occurrence, St = Status, * = Restricted Codes
 Status: M=Mandatory, R=Required, O=Optional, D=Dependent, A=Advised, N=Not used

Segment Layout

No.	Seg	St	Max.	Occ.		
7	SG2	O	1		RFF	
	RFF	M	1		Reference	
To specify a reference.						
Business Term	DE	EDIFACT	Format	St	*	Description
	C506	Reference		M		
	1153	Reference code qualifier	an..3	M	*	DQ Delivery note number
Former delivery note number	1154	Reference identifier	an..70	R		
Segmentstatus: Optional This segment can be used to reference the delivery note number. Example: RFF+DQ:4714' The message references to delivery note number 4714.						

Max. Occ. = Maximum Occurrence, St = Status, * = Restricted Codes
 Status: M=Mandatory, R=Required, O=Optional, D=Dependent, A=Advised, N=Not used

Segment Layout

No.	Seg	St	Max.	Occ.		
8	SG2	O	1		RFF	
	RFF	M	1		Reference	
To specify a reference.						
Business Term	DE	EDIFACT	Format	St	*	Description
	C506	Reference		M		
	1153	Reference code qualifier	an..3	M	*	ON Order number (buyer)
Order number (buyer)	1154	Reference identifier	an..70	R		
Segmentstatus: Optional This segment can contain a reference to buyers order number. Example: RFF+ON:3425 ' The message references to buyers order number 3425.						

Max. Occ. = Maximum Occurrence, St = Status, * = Restricted Codes
 Status: M=Mandatory, R=Required, O=Optional, D=Dependent, A=Advised, N=Not used

Segment Layout

No.	Seg	St	Max. Occ.			
9	SG3	R	1	NAD-SG4		
	NAD	M	1	Name and address		
To specify the name/address and their related function, either by C082 only and/or unstructured by C058 or structured by C080 thru 3207.						
Business Term	DE	EDIFACT	Format	St	*	Description
	3035	Party function code qualifier	an..3	M	*	SU Supplier
	C082	Party identification details		A		
Identification of supplier	3039	Party identifier	an..35	M		Global Location Number (GLN) - Format n13
	1131	Code list identification code	an..17	N		
	3055	Code list responsible agency code	an..3	R	*	9 GS1
	C058	Name and address		O		This composite may only be used to fulfill the requirements of directive 2003/58/EG, article 4. If applicable the message sender gets the possibility to give the relevant statements at this place. If C058 ist not sufficient, more declaration can be given in following RFF+GN... segments.
	3124	Name and address description	an..35	N		
	3124	Name and address description	an..35	O		
	3124	Name and address description	an..35	O		
	3124	Name and address description	an..35	O		
	3124	Name and address description	an..35	O		
<p>Segmentstatus: Mandatory</p> <p>Within EANCOM it is mandatory to identify the supplier/manufacturer by Global Location Number (GLN).</p> <p>Example: NAD+SU+4012345000009::9' The supplier/manufacturer is identified by Global Location Number (GLN) 4012345000009.</p>						

Max. Occ. = Maximum Occurrence, St = Status, * = Restricted Codes

Status: M=Mandatory, R=Required, O=Optional, D=Dependent, A=Advised, N=Not used

Segment Layout

No.	Seg	St	Max. Occ.				
10	SG3	R	1	NAD-SG4			
	SG4	O	1	RFF			
	RFF	M	1	Reference			
To specify a reference.							
Business Term		DE	EDIFACT	Format	St	*	Description
		C506	Reference		M		
		1153	Reference code qualifier	an..3	M	*	GN Government reference number
Statements on business letters		1154	Reference identifier	an..70	R		
<p>Segmentstatus: Depending This RFF segment may only be used if the preceding NAD has not enough space to fulfill the requirements of directive 2003/58/EG, article 4.</p> <p>Example: RFF+GN:HRB-471111' German statements on business letters: HRB-471111</p>							

Max. Occ. = Maximum Occurrence, St = Status, * = Restricted Codes
 Status: M=Mandatory, R=Required, O=Optional, D=Dependent, A=Advised, N=Not used

Segment Layout

No.	Seg	St	Max.	Occ.		
11	SG3	R	1		NAD	
	NAD	M	1		Name and address To specify the name/address and their related function, either by C082 only and/or unstructured by C058 or structured by C080 thru 3207.	
Business Term		DE	EDIFACT	Format	St	* Description
		3035	Party function code qualifier	an..3	M	* BY Buyer
		C082	Party identification details		A	
	Identification of buyer	3039	Party identifier	an..35	M	Global Location Number (GLN) - Format n13
		1131	Code list identification code	an..17	N	
		3055	Code list responsible agency code	an..3	R	* 9 GS1
<p>Segmentstatus: Mandatory Within EANCOM it is mandatory to identify the buyer by Global Location Number (GLN). Example: NAD+BY+4398765000004: :9' The buyer is identified with the Global Location Number (GLN) 4398765000004.</p>						

Max. Occ. = Maximum Occurrence, St = Status, * = Restricted Codes
 Status: M=Mandatory, R=Required, O=Optional, D=Dependent, A=Advised, N=Not used

Segment Layout

No.	Seg	St	Max. Occ.			
12	SG3	O	1	NAD		
	NAD	M	1	Name and address		
To specify the name/address and their related function, either by C082 only and/or unstructured by C058 or structured by C080 thru 3207.						
Business Term	DE	EDIFACT	Format	St	*	Description
	3035	Party function code qualifier	an..3	M	*	SF Ship from
	C082	Party identification details		A		
Ship from / Place of loading	3039	Party identifier	an..35	M		Global Location Number (GLN) - Format n13
	1131	Code list identification code	an..17	N		
	3055	Code list responsible agency code	an..3	R	*	9 GS1
	C058	Name and address		O		This composite may only be used to fulfill the requirements of directive 2003/58/EG, article 4. If applicable the message sender gets the possibility to give the relevant statements at this place. If C058 ist not sufficient, more declaration can be given in following RFF+GN... segments.
	3124	Name and address description	an..35	M		
	3124	Name and address description	an..35	O		
	3124	Name and address description	an..35	O		
	3124	Name and address description	an..35	O		
	3124	Name and address description	an..35	O		
	C080	Party name		D		
Name of the consignor	3036	Party name	an..35	M		
Name 2 of the consignor	3036	Party name	an..35	O		
Name 3 of the consignor	3036	Party name	an..35	O		
	C059	Street		D		
Street and number of the consignor	3042	Street and number or post office box identifier	an..35	M		
Place of the consignor - name of a city (town, village) for adressing purposes.	3164	City name	an..35	D		
	C819	Country sub-entity details		D		

Max. Occ. = Maximum Occurrence, St = Status, * = Restricted Codes

Status: M=Mandatory, R=Required, O=Optional, D=Dependent, A=Advised, N=Not used

Segment Layout

Business Term	DE	EDIFACT	Format	St	*	Description
	3229	Country sub-entity name code	an..9	O		Identification of the name of sub-entities (state, province) defined by appropriate governmental agencies
Postcode of the consignor	3251	Postal identification code	an..17	D		
Country of the consignor, coded	3207	Country name code	an..3	D		
<p>Segmentstatus: Optional</p> <p>The NAD segment is used to specify the name and address as well as function of a partner, either only by the data element group C082 or structured by the data element group C080 to 3207.</p> <p>DE 3039: The use of the Global Location Number (GLN) is recommended for the identification of the partners. When GLN is used, it is sufficient.</p> <p>Example: NAD+SF+4399899175941::9+Text1:Text2:Text3:Text4:Text5+X GmbH:X:X+Moorweg 3+Hamburg+HH+22055+DE '</p> <p>The ship from place / place of loading has the GLN 4399899175941.</p>						

Max. Occ. = Maximum Occurrence, St = Status, * = Restricted Codes
 Status: M=Mandatory, R=Required, O=Optional, D=Dependent, A=Advised, N=Not used

Segment Layout

No.	Seg	St	Max. Occ.			
	SG11	M	9999	LIN-PIA-MEA-LOC-SG13-SG15-SG18		
13	LIN	M	1	Line item		
To identify a line item and configuration.						
Business Term	DE	EDIFACT	Format	St	*	Description
Line item number	1082	Line item identifier	an..6	R		Application generated line item number
	1229	Action request/ notification description code	an..3	N		
	C212	Item number identification		D		
GTIN article number	7140	Item identifier	an..35	R		GTIN, Format n..14
	7143	Item type identification code	an..3	R	*	SRV GS1 Global Trade Item Number
Segmentstatus: Mandatory The LIN-segment is used to specify the item being ordered. Example: <code>LIN+1++4000004000035:SRV'</code> The item announced for return with the item number 3 is identified by GTIN 4000004000035.						

Max. Occ. = Maximum Occurrence, St = Status, * = Restricted Codes
 Status: M=Mandatory, R=Required, O=Optional, D=Dependent, A=Advised, N=Not used

Segment Layout

No.	Seg	St	Max. Occ.			
14	SG11	M	9999	LIN-PIA-MEA-LOC-SG13-SG15-SG18		
	PIA	D	1	Additional product id To specify additional or substitutional item identification codes.		
Business Term		DE	EDIFACT	Format	St	* Description
		4347	Product identifier code qualifier	an..3	M	* 5 Product identification
		C212	Item number identification		M	
	Supplier's article number	7140	Item identifier	an..35	R	
		7143	Item type identification code	an..3	R	* SA Supplier's article number
		1131	Code list identification code	an..17	O	
		3055	Code list responsible agency code	an..3	D	* 91 Assigned by supplier or supplier's agent
<p>Segmentstatus: Depending, if LIN segment does not provide a GTIN, otherwise segment is not used.</p> <p>This segment is only used, if LIN segment does not provide a GTIN. Then it must follow the LIN segment immediately. In this case LIN segment (mandatory) only provides the line item number. Identification of the article is done by use of the suppliers article number in this PIA segment, DE 4347 is filled with "5" for primary identification.</p> <p>Example: PIA+5+ABC5343:SA: :91'</p> <p>Only if LIN does not provide a GTIN: Item identification in PIA</p>						

Max. Occ. = Maximum Occurrence, St = Status, * = Restricted Codes
 Status: M=Mandatory, R=Required, O=Optional, D=Dependent, A=Advised, N=Not used

Segment Layout

No. Seg	St	Max. Occ.				
15	SG11	M 9999	LIN-PIA-MEA-LOC-SG13-SG15-SG18			
	MEA	O 1	Measurements To specify physical measurements, including dimension tolerances, weights and counts.			
Business Term	DE	EDIFACT	Format	St	*	Description
	6311	Measurement purpose code qualifier	an..3	M	*	AAE Measurement
	C502	Measurement details		A		
	6313	Measured attribute code	an..3	A	*	NPP Number of pallet places (GS1 Temporary Code)
	C174	Value/range		O		
	6411	Measurement unit code	an..3	M	*	PCE Piece (GS1 Temporary Code)
Number of pallet places	6314	Measurement value	an..18	O		
Segmentstatus: Optional This segment contains information on pallet places for the cargo space disposition. Example: MEA+AAE+NPP+PCE:10' There are 10 pallet places.						

Max. Occ. = Maximum Occurrence, St = Status, * = Restricted Codes
 Status: M=Mandatory, R=Required, O=Optional, D=Dependent, A=Advised, N=Not used

Segment Layout

No.	Seg	St	Max. Occ.				
16	SG11	M	9999	LIN-PIA-MEA-LOC-SG13-SG15-SG18			
	MEA	O	1	Measurements To specify physical measurements, including dimension tolerances, weights and counts.			
Business Term		DE	EDIFACT	Format	St	*	Description
		6311	Measurement purpose code qualifier	an..3	M	*	AAE Measurement
		C502	Measurement details		A		
		6313	Measured attribute code	an..3	A	*	G Gross weight
		C174	Value/range		O		
		6411	Measurement unit code	an..3	M		KGM kilogram
Gross weight of the position		6314	Measurement value	an..18	O		
Segmentstatus: Optional This segment contains measurements for the position. Example: MEA+AAE+G+KGM:20' The gross weight of the position is 20 kilograms.							

Max. Occ. = Maximum Occurrence, St = Status, * = Restricted Codes
 Status: M=Mandatory, R=Required, O=Optional, D=Dependent, A=Advised, N=Not used

Segment Layout

No. Seg	St	Max. Occ.				
17			SG11	M	9999	LIN-PIA-MEA-LOC-SG13-SG15-SG18
			LOC	O	1	Place/location identification To identify a place or a location and/or related locations.
Business Term	DE	EDIFACT	Format	St	*	Description
	3227	Location function code qualifier	an..3	M	*	14 Location of goods
	C517	Location identification		A		
Location of goods	3225	Location name code	an..25	A		Global Location Number (GLN)- Format n13
	1131	Code list identification code	an..17	O		
	3055	Code list responsible agency code	an..3	D	*	9 GS1
<p>Segmentstatus: Optional This segment is used to identify locations relevant to the current line item. When identifying locations it is recommended to use Global Location Number GLN. Example: LOC+14+4056786542381::9' The goods are at the location with GLN 4056786542381</p>						

Max. Occ. = Maximum Occurrence, St = Status, * = Restricted Codes
 Status: M=Mandatory, R=Required, O=Optional, D=Dependent, A=Advised, N=Not used

Segment Layout

No.	Seg	St	Max. Occ.			
18	SG11 LOC	M	9999	LIN-PIA-MEA-LOC-SG13-SG15-SG18		
		O	1	Place/location identification To identify a place or a location and/or related locations.		
Business Term	DE	EDIFACT	Format	St	*	Description
	3227	Location function code qualifier	an..3	M	*	7 Place of delivery
	C517	Location identification		A		
Delivery place	3225	Location name code	an..25	A		Global Location Number (GLN)- Format n13
	1131	Code list identification code	an..17	O		
	3055	Code list responsible agency code	an..3	D	*	9 GS1
<p>Segmentstatus: Optional This segment is used to identify locations relevant to the current line item. The GLN of the original delivery location is required at the detail level to be able to generate correct credit notes for VAT purposes. When identifying locations it is recommended to use Global Location Number GLN. Example: LOC+7+4056786542459:::9' The GLN of the delivery place is 4056786542459.</p>						

Max. Occ. = Maximum Occurrence, St = Status, * = Restricted Codes
 Status: M=Mandatory, R=Required, O=Optional, D=Dependent, A=Advised, N=Not used

Segment Layout

No. Seg	St	Max. Occ.				
19	SG11	M 9999	LIN-PIA-MEA-LOC-SG13-SG15-SG18			
	SG13	R 1	QTY-CDI			
	QTY	M 1	Quantity			
	To specify a pertinent quantity.					
Business Term	DE	EDIFACT	Format	St	*	Description
	C186	Quantity details		M		
	6063	Quantity type code qualifier	an..3	M	*	445 Return to the manufacturer
Return quantity	6060	Quantity	an..35	M		Note: Use only numeric values.
Unit of measurement	6411	Measurement unit code	an..3	D		KGM kilogram MTR metre LTR litre All code values of the codes list are allowed
<p>Segmentstatus: Mandatory The QTY segment is used to specify the return quantity for the current line item, which was identified in the LIN segment. DE 6411 is only used, if the article is a variable quantity article. Default value is piece.</p> <p>Example: QTY+445:20' The return quantity amounts to 20 pieces of the article no. described in the LIN segment. (GTIN).</p>						

Max. Occ. = Maximum Occurrence, St = Status, * = Restricted Codes
 Status: M=Mandatory, R=Required, O=Optional, D=Dependent, A=Advised, N=Not used

Segment Layout

No. Seg	St	Max. Occ.				
20	SG11	M 9999	LIN-PIA-MEA-LOC-SG13-SG15-SG18			
	SG13	R 1	QTY-CDI			
	CDI	R 9	Physical or logical state To describe a physical or logical state.			
Business Term	DE	EDIFACT	Format	St	*	Description
	7001	Physical or logical state type code qualifier	an..3	M	*	1 Upon receipt
	C564	Physical or logical state information		M		
Reasons for return, code	7007	Physical or logical state description code	an..3	A		4 Beschädigt 12E Retourenwaren (GS1 Temporär Code) 13E Entsorgung von Waren (GS1 Temporär Code) 15 Veraltet
	1131	Code list identification code	an..17	O		
	3055	Code list responsible agency code	an..3	D	*	246 GS1 Germany
	7006	Physical or logical state description	an..70	O		
<p>Segmentstatus: Mandatory This segment is used to indicate conditions (actions) requested by the message sender for the current line item.</p> <p>Example: <code>CDI+1+4: :246'</code> Article damaged.</p>						

Max. Occ. = Maximum Occurrence, St = Status, * = Restricted Codes
 Status: M=Mandatory, R=Required, O=Optional, D=Dependent, A=Advised, N=Not used

Segment Layout

No.	Seg	St	Max.	Occ.			
21	SG11	M	9999		LIN-PIA-MEA-LOC-SG13-SG15-SG18		
	SG15	O	1		RFF		
	RFF	O	1		Reference To specify a reference.		
Business Term		DE	EDIFACT	Format	St	*	Description
		C506	Reference		M		
		1153	Reference code qualifier	an..3	M	*	AAK Despatch advice number
	Former despatch advice number	1154	Reference identifier	an..70	R		
<p>Segmentstatus: Optional This segment is used to specify any references valid for the current line item of the announcement for returns message. This segment is used to reference the despatch advice number (DESADV). Example: RFF+AAK:4710' The current line item references to despatch advice number 4710.</p>							

Max. Occ. = Maximum Occurrence, St = Status, * = Restricted Codes
 Status: M=Mandatory, R=Required, O=Optional, D=Dependent, A=Advised, N=Not used

Segment Layout

No.	Seg	St	Max.	Occ.			
22	SG11	M	9999		LIN-PIA-MEA-LOC-SG13-SG15-SG18		
	SG15	O	1		RFF		
	RFF	O	1		Reference		
To specify a reference.							
Business Term		DE	EDIFACT	Format	St	*	Description
		C506	Reference		M		
		1153	Reference code qualifier	an..3	M	*	DQ Delivery note number
Former delivery note number		1154	Reference identifier	an..70	R		
Segmentstatus: Optional This segment can be used to reference the delivery note number. Example: RFF+DQ:4714' The current line item references to delivery note number 4714.							

Max. Occ. = Maximum Occurrence, St = Status, * = Restricted Codes
 Status: M=Mandatory, R=Required, O=Optional, D=Dependent, A=Advised, N=Not used

Segment Layout

No.	Seg	St	Max.	Occ.		
23	SG11	M	9999		LIN-PIA-MEA-LOC-SG13-SG15-SG18	
	SG15	O	1		RFF	
	RFF	O	1		Reference	
To specify a reference.						
Business Term		DE	EDIFACT	Format	St	* Description
		C506	Reference		M	
		1153	Reference code qualifier	an..3	M	* ON Order number (buyer)
Order number (buyer)		1154	Reference identifier	an..70	R	
Segmentstatus: Optional This segment can contain a reference to buyers order number. Example: RFF+ON:3425' The current line item references to buyers order number 3425.						

Max. Occ. = Maximum Occurrence, St = Status, * = Restricted Codes
 Status: M=Mandatory, R=Required, O=Optional, D=Dependent, A=Advised, N=Not used

Segment Layout

No. Seg	St	Max. Occ.				
24	SG11	M 9999	LIN-PIA-MEA-LOC-SG13-SG15-SG18			
	SG18	O 9	PAC-SG19			
	PAC	M 1	Package			
To describe the number and type of packages/physical units.						
Business Term	DE	EDIFACT	Format	St	*	Description
Number of packages	7224	Package quantity	n..8	R		
	C531	Packaging details		A		
	7075	Packaging level code	an..3	N		
	7233	Packaging related description code	an..3	O	*	52 Package barcoded UCC or EAN-128
	7073	Packaging terms and conditions code	an..3	O		
	C202	Package type		O		
	7065	Package type description code	an..17	A		201 Pallet ISO 1 - 1/1 EURO Pallet (GS1 Temporary Code) The use of any code value of this codes list is allowed.
	1131	Code list identification code	an..17	O		
	3055	Code list responsible agency code	an..3	D	*	9 GS1 Code value 9 is only used if DE 7065 contains a GS1 code.
<p>Segmentstatus: Mandatory This segment can be used to indicate the total number of packages per package type within the consignment. Example: PAC+10+:52+201::9' 10 Pallets ISO 1 - 1/1 EURO Pallet</p>						

Max. Occ. = Maximum Occurrence, St = Status, * = Restricted Codes
 Status: M=Mandatory, R=Required, O=Optional, D=Dependent, A=Advised, N=Not used

Segment Layout

No.	Seg	St	Max. Occ.			
25	SG11	M	9999	LIN-PIA-MEA-LOC-SG13-SG15-SG18		
	SG18	O	9	PAC-SG19		
	SG19	O	9	PCI-GIN		
	PCI	M	1	Package identification		
To specify markings and labels on individual packages or physical units.						
Business Term		DE	EDIFACT	Format	St	* Description
Package identification type		4233	Marking instructions code	an..3	R	* 33E Marked with serial shipping container code (GS1 Temporary Code)
<p>Segmentstatus: Optional This segment is used to specify markings and labels which have been marked on the packaging of the current goods item.</p> <p>Example: PCI+33E' The shipment item contains a SSCC.</p>						

Max. Occ. = Maximum Occurrence, St = Status, * = Restricted Codes
 Status: M=Mandatory, R=Required, O=Optional, D=Dependent, A=Advised, N=Not used

Segment Layout

No.	Seg	St	Max. Occ.				
26	SG11	M	9999	LIN-PIA-MEA-LOC-SG13-SG15-SG18			
	SG18	O	9	PAC-SG19			
	SG19	O	9	PCI-GIN			
	GIN	O	9	Goods identity number			
To give specific identification numbers, either as single numbers or ranges.							
Business Term		DE	EDIFACT	Format	St	*	Description
		7405	Object identification code qualifier	an..3	M	*	BJ Serial shipping container code
		C208	Identity number range		M		
Serial Shipping Container Code (SSCC)		7402	Object identifier	an..35	M		
<p>Segmentstatus: Optional This segment is used to provide the Serial Shipping Container Code marked on the packaging of the current goods item.</p> <p>Example: GIN+BJ+354123450000000014' The SSCC is 340123450000000014</p>							

Max. Occ. = Maximum Occurrence, St = Status, * = Restricted Codes
 Status: M=Mandatory, R=Required, O=Optional, D=Dependent, A=Advised, N=Not used

Segment Layout

No. Seg	St	Max. Occ.				
27	UNS	M 1	Section control			
To separate header, detail and summary sections of a message.						
Notes:						
1. To be used by message designers when required to avoid ambiguities. Mandatory only if specified for the type of message concerned.						
Business Term	DE	EDIFACT	Format	St	*	Description
	0081	Section identification	a1	M	*	S Detail/summary section separation
Segmentstatus: Mandatory						
This segment is used to separate the detail and summary section of the message.						
The UNS segment has only a syntactic function						
Example: UNS+S'						
Separation between detail and summary section						

Max. Occ. = Maximum Occurrence, St = Status, * = Restricted Codes
 Status: M=Mandatory, R=Required, O=Optional, D=Dependent, A=Advised, N=Not used

Segment Layout

No. Seg	St	Max. Occ.				
28	UNT	M 1	Message trailer To end and check the completeness of a message.			
Business Term	DE	EDIFACT	Format	St	*	Description
Total number of segments	0074	Number of segments in the message	n..6	M		
	0062	Message reference number	an..14	M		The reference number from the UNH segment must be repeated here.
<p>Segmentstatus: Mandatory This UNT segment is a mandatory UN/EDIFACT segment. It must always be the last segment in the message.</p> <p>Example: UNT+26+ME000001' The message contains 26 segments.</p>						

Max. Occ. = Maximum Occurrence, St = Status, * = Restricted Codes
 Status: M=Mandatory, R=Required, O=Optional, D=Dependent, A=Advised, N=Not used

Segment Layout

No. Seg	St	Max. Occ.				
29	UNZ	M 1	Interchange trailer To end and check the completeness of an interchange.			
Business Term	DE	EDIFACT	Format	St	*	Description
End of the transmission file Number of messages or message groups	0036	Interchange control count	n..6	M		Number of messages or message groups in the transmission file.
Interchange control reference, end	0020	Interchange control reference	an..14	M		Interchange control reference, identical with UNB DE 0020.
<p>Segmentstatus: Mandatory The UNZ segment is the last segment of the transmission file. Note DE 0036: If functional groups are not used, this is the number of messages within the interchange.</p> <p>Example: UNZ+1+4711' The transmission file contains 1 message.</p>						

Max. Occ. = Maximum Occurrence, St = Status, * = Restricted Codes
 Status: M=Mandatory, R=Required, O=Optional, D=Dependent, A=Advised, N=Not used

Used Codes

0001	Syntax identifier Coded identification of the agency controlling a syntax and syntax level used in an interchange. Notes: 1. a3, upper case, Controlling Agency (e.g. UNO=UN/ECE) and a1 stating level (e.g. A) (which together give UNOA).
UNOA	UN/ECE level A As defined in the basic code table of ISO 646 with the exceptions of lower case letters, alternative graphic character allocations and national or application-oriented graphic character allocations.
UNOB	UN/ECE level B As defined in the basic code table of ISO 646 with the exceptions of alternative graphic character allocations and national or application-oriented graphic character allocations.
UNOC	UN/ECE level C As defined in ISO 8859-1 : Information processing - Part 1: Latin alphabet No. 1.
UNOD	UN/ECE level D As defined in ISO 8859-2 : Information processing - Part 2: Latin alphabet No. 2.
UNOE	UN/ECE level E As defined in ISO 8859-5 : Information processing - Part 5: Latin/Cyrillic alphabet.
UNOF	UN/ECE level F As defined in ISO 8859-7 : Information processing - Part 7: Latin/Greek alphabet.
UNOG	UN/ECE level G As defined in ISO 8859-3 : Information processing - Part 3: Latin alphabet.
UNOH	UN/ECE level H As defined in ISO 8859-4 : Information processing - Part 4: Latin alphabet.
UNOI	UN/ECE level I As defined in ISO 8859-6 : Information processing - Part 6: Latin/Arabic alphabet.
UNOJ	UN/ECE level J As defined in ISO 8859-8 : Information processing - Part 8: Latin/Hebrew alphabet.
UNOK	UN/ECE level K As defined in ISO 8859-9 : Information processing - Part 9: Latin alphabet.

Used Codes

UNOW	UN/ECE level W ISO 10646-1 octet with code extension technique to support UTF-8 (UCS Transformation Format, 8 bit) encoding.
UNOX	UN/ECE level X Code extension technique as defined by ISO 2022 utilising the escape techniques in accordance with ISO 2375.
UNOY	UN/ECE level Y ISO 10646-1 octet without code extension technique.
0002	Syntax version number Version number of the syntax identified in the syntax identifier (0001) Notes: 1. Increments 1 for each version.
3	Version 3 ISO 9735 Amendment 1:1992. GS1 Description: Syntax version number 3. This code can be used with all of the character sets (A, B, C, D, E and F).
0007	Partner identification code qualifier Qualifier referring to the source of codes for the identifiers of interchanging partners. Notes: 1. Used with sender/recipient identification code.
14	GS1 Partner identification code assigned by GS1, an international organization of GS1 Member Organizations that manages the GS1 System.
0025	Recipient's reference/password qualifier Qualifier for the recipient's reference or password. Notes: 1. If specified in IA.
AA	Reference Recipient's reference/password is a reference.
BB	Password Recipient's reference/password is a password.

Used Codes

0029	<p>Processing priority code</p> <p>Code determined by the sender requesting processing priority for the interchange.</p> <p>Notes:</p> <p>1. Used if specified in IA.</p>
A	<p>Highest priority</p> <p>Requested processing priority is the highest.</p>
0031	<p>Acknowledgement request</p> <p>Code determined by the sender for acknowledgement of the interchange.</p> <p>Notes:</p> <p>1. Set = 1 if sender requests acknowledgement, i.e. UNB and UNZ segments received and identified.</p>
1	<p>Requested</p> <p>Acknowledgement is requested.</p>
0035	<p>Test indicator</p> <p>Indication that the interchange is a test.</p> <p>Notes:</p> <p>1. Set = 1 if the interchange is a test. Otherwise not used.</p>
1	<p>Interchange is a test</p> <p>Indicates that the interchange is a test.</p>
0051	<p>Controlling agency</p> <p>Code to identify the agency controlling the specification, maintenance and publication of the message type.</p>
UN	<p>UN/CEFACT</p> <p>United Nations Centre for Trade Facilitation and Electronic Business (UN/CEFACT).</p> <p>GS1 Description:</p> <p>UN Economic Commission for Europe (UN/ECE), Committee on the development of trade (TRADE), Working Party on facilitation of international trade procedures (WP.4).</p>
0052	<p>Message version number</p> <p>Version number of a message type.</p> <p>Notes:</p> <p>1. If UNG/UNE is used, shall be identical in UNG and UNE.</p> <p>The representation of 0052 was specified as n..3 in version 1 of ISO 9735.</p>

Used Codes

D	Draft version/UN/EDIFACT Directory Message approved and issued as a draft message (Valid for directories published after March 1993 and prior to March 1997). Message approved as a standard message (Valid for directories published after March 1997).
0054	Message release number Release number within the current message type version number (0052). Notes: 1. The representation of 0054 was specified as n..3 in version 1 of ISO 9735.
01B	Release 2001 - B Message approved and issued in the second 2001 release of the UNTDID (United Nations Trade Data Interchange Directory).
0057	Association assigned code A code assigned by the association responsible for the design and maintenance of the message type concerned, which further identifies the message.
EAN003	GS1 version control number (GS1 Permanent Code)
0065	Message type Code identifying a type of message and assigned by its controlling agency. Notes: 1. Type of message being transmitted.
RETANN	Announcement for returns message A code to identify the announcement for returns message. GS1 Description: Message announcing returns.
0081	Section identification Separates sections in a message.
S	Detail/summary section separation To qualify the segment UNS, when separating the detail from the summary section of a message.
1001	Document name code Code specifying the document name.
70E	Announcement for returns (GS1 Temporary Code) A message by which a party announces to another party details of goods for return due to specified reasons (e.g. returns for repair, returns because of damage, etc).

Used Codes

1131	Code list identification code Code identifying a user or association maintained code list. Notes: 1. The codes for this data element are provided by the code list responsible agency defined in data element 3055.
23	Clearing house automated payment Self explanatory. Notes: This code value will be removed effective with directory D.04A. GS1 Description: Banking community' automated payment clearing system.
25	Bank identification Code for identification of banks. Notes: This code value will be removed effective with directory D.04A.
106	Incoterms 1980 (4110) Code to indicate applicable Incoterm (1980 edition) under which seller undertakes to deliver merchandise to buyer (ICC). Incoterms 1990: use 4053 only. Notes: This code value will be removed effective with directory D.04A.
132	Charge Identification of a type of charge. Notes: This code value will be removed effective with directory D.04A.
154	Bank branch sorting identification Identification of a specific branch of a bank. Notes: This code value will be removed effective with directory D.04A.
157	Clearing code Identification of the responsible bank/clearing house which has cleared or is ordered to do the clearing. Notes: This code value will be removed effective with directory D.04A.
166	Social security identification Code assigned by the authority competent to issue social security identification to identify a person. Notes: This code value will be removed effective with directory D.04A.

Used Codes

174	Citizen identification Self explanatory.
	Notes: This code value will be removed effective with directory D.04A. GS1 Description: Code issued by national authority competent to issue citizen identification to identify a person.
1E	Incoterms 1990 (GS1 Temporary Code) Incoterms 1990 as published by the International Chamber of Commerce (ICC).
2E	Incoterms 2000 (GS1 Temporary Code) Incoterms 2000 as published by the International Chamber of Commerce (ICC).
3E	Incoterms 2010 (GS1 Temporary Code) Incoterms 2010 as published by the International Chamber of Commerce (ICC).
ADR	Accord Europeen au transport international dangereuses (GS1 Temporary Code) A European agreement concerning the international carriage of dangerous goods by road.
BR	Brand (GS1 Temporary Code) An identifying mark or label on the products of a particular company, or the kind or make of a commodity.
CA	Category (GS1 Temporary Code) A class or division in a scheme of classification.
CO	Colour (GS1 Temporary Code) Description of the colour required/available on the goods.
FL	Flavor (GS1 Temporary Code) The characteristic quality of goods.
HMT	Hazardous material standard text (GS1 Temporary Code) Code indicating agreed standard text on hazardous materials.
LOC	Location Code (GS1 Temporary Code) This is a code to indicate where the EAS tag is located on the Trade Item. Values include On outside of Trade Item, Concealed inside Trade Item, Integrated Inside Trade Item.
OAG	Organic Claim Agency (GS1 Temporary Code) A governing body that creates and maintain standards related to organic products.
OCO	Organic Trade Item Code (GS1 Temporary Code) Used to indicate the organic status of a trade item or of one or more of its components.

Used Codes

OUM	Ordering unit of measure (GS1 Temporary Code) The alternate Unit of Measure of how Trade Items are ordered by the Retailer under one Unit of Measure, but sold under another Unit of Measure.
SRN	Service relation number (GS1 Temporary Code) A number used to identify a database entry which records recurring services, e.g., treatment of a patient in a hospital, usage by a member of a library facilities, etc.
ST	Style (GS1 Temporary Code) Specific or characteristic design in any goods.
SUM	Selling unit of measure (GS1 Temporary Code) Describes the measurement used for selling unit of the Trade Item to the end consumer.
SZ	Size (GS1 Temporary Code) Any of a series of graded classifications of measure into which goods are divided.
SZG	Size Group (GS1 Temporary Code) A description of the variable size that is necessary to uniquely specify the size of the item in conjunction with the nonpackaged size dimension.
TYP	Type Code (GS1 Temporary Code) This is a code to indicate the type of EAS tag located on the Trade Item. Values include Acousto-Magnetic, Electro-Magnetic, Ink or dye, Microwave, Radio Frequency.
X11	Diet Allergen (GS1 Temporary Code) Indication of which dietary or allergen marks that are on the package.
X12	Environment (GS1 Temporary Code) Indication of which environmental marks (e.g. recycling schemes) that are on trade item package.
X13	Ethical (GS1 Temporary Code) Indication of which ethical trading marks that are on the package.
X14	Free Form (GS1 Temporary Code) Indication of which free-from marks that are on the package.
X15	Expiration date (GS1 Temporary Code) Indicates the type of expiration date marked on the packaging.
X16	Nesting Direction (GS1 Temporary Code) Depicts the arrangement of two items that nest together specifically whether they nest against each other or on top of each other.
X17	Package Marks Hygienic (GS1 Temporary Code) Indication of which hygiene markings are present in the product package

Used Codes

X18	<p>Hazardous Components are Removable (GS1 Temporary Code)</p> <p>An indicator if any hazardous components contained within the trade item can easily be separated from the other materials to facilitate product recycling.</p>
X19	<p>Trade Item Has Refuse Obligations (GS1 Temporary Code)</p> <p>Indicates if there are special disposal obligations that apply to the trade item for example INTRASTAT.</p>
X20	<p>Trade Item Is Designed for Easy Disassembly (GS1 Temporary Code)</p> <p>Indicates that the trade item is designed for easy disassembly by recycling facilities using standard industry tools.</p>
X21	<p>Trade Item Is Rigid Plastic Packaging Container (GS1 Temporary Code)</p> <p>Indicates that a product is or is contained in a Rigid Plastic Packaging Container (RPPC) as defined by laws in the target market.</p>
X22	<p>Trade Item Is ROHS Compliant (GS1 Temporary Code)</p> <p>Indicates if the product is compliant with the European Union RoHS Directive.</p>
X23	<p>Trade Item Is Universal Waste (GS1 Temporary Code)</p> <p>Indicates if a product can be considered universal waste.</p>
X24	<p>Trade Item Is Consumer Upgradeable Or Maintainable (GS1 Temporary Code)</p> <p>Indicates if a product can be easily upgraded or have parts replaced by the consumer.</p>
X25	<p>Trade Item Contains Short Chain Chlorinated Paraffins (GS1 Temporary Code)</p> <p>Indicate if the trade item and/or its components contain paints, coatings, plastics or other materials containing short chain chlorinated paraffins (SCCPs).</p>
X26	<p>Trade Item Contains Pesticide (GS1 Temporary Code)</p> <p>Indicates if the trade item is advertised or labelled as a chemical or contains a chemical that is advertised or labelled to kill, repel or prevent the growth of any living organism.</p>
X27	<p>Trade Item Contains Propellant (GS1 Temporary Code)</p> <p>Indicates if a trade item contains a compressed gas or propellant.</p>
X28	<p>Trade Item Contains Polyvinyl Chloride (GS1 Temporary Code)</p> <p>Indicate if product contains Polyvinyl Chloride (PVC), a widely used thermoplastic polymer.</p>
X29	<p>Trade Item Chemical Is Not Intended For Human Consumption (GS1 Temporary Code)</p> <p>Indicates that the trade item is or contains a Liquid, Gel, Paste, Powder, or Flammable solid not intended for human consumption (ingested).</p>
X30	<p>ROHS Compliance Failure Material (GS1 Temporary Code)</p> <p>The material used in the trade item that does not comply with the ROHS Directives</p>

Used Codes

X31	Packaging Terms And Condition (GS1 Temporary Code) Indicates if the packaging given in the described packaging configuration is a rented, exchangeable, against deposit or one way/not reusable.
X32	Warranty Effective Date Type (GS1 Temporary Code) The type of date associated with the warranty trade item usually expressed as an event date for the item for example date of purchase, date of manufacture or date of delivery.
X33	Warranty Type (GS1 Temporary Code)
X35	Warranty Constraint (GS1 Temporary Code)
X36	Seasonal Availability End Date (GS1 Temporary Code) Indicates the end date of the trade item's seasonal availability.
X37	Seasonal Availability Start Date (GS1 Temporary Code) Indicates the start date of the trade item's seasonal availability.
X38	Season Calendar Year (GS1 Temporary Code) This element indicates the calendar year in which the trade item is seasonally available.
X39	Season Parameter (GS1 Temporary Code) Indication of the season, in which the trade item is available.
X40	Trade Item Automatic Power Down is Enabled (GS1 Temporary Code) An indicator whether a product is enabled with auto power down feature when shipped to the customer.
X41	Electrical Usage Agency Code (GS1 Temporary Code) The agency that regulates electrical usage for products within a target market.
X42	Nesting Type (GS1 Temporary Code) Depicts whether a nested item fits inside or over the other item in a nesting relationship.
X43	Display Dimension Type Code (GS1 Temporary Code) Depicts certain display scenarios used for measurement.
X44	Manufacturer Has Take Back Program (GS1 Temporary Code) Indicates if the manufacturer of the trade item offers any take back programs to consumers for the product to be reused, remanufactured or recycled by the manufacturer.
X45	Display Resolution (GS1 Temporary Code) The display resolution of a television or computer display.
X46	Orientation Preference Sequence (GS1 Temporary Code) Depicts the preferred sequence of orientation used to communicate the manufacturers relative preferences of orientation.
X47	Orientation Type (GS1 Temporary Code) Depicts via code a display orientation for a trade item.

Used Codes

X48	Electrical Usage Trade Item Classification Code (GS1 Temporary Code) A classification code value from a product classification scheme provided to drive required information for electrical usage.
X49	Electrical Usage Trade Item Classification Name (GS1 Temporary Code) A classification name from a product classification scheme provided to drive required information for electrical usage.
X50	Electrical Usage SubClassification Code (GS1 Temporary Code) A sub-classification code value from a product classification scheme provided to drive required information for electrical usage.
X51	Electrical Usage SubClassification Name (GS1 Temporary Code) A sub-classification name provided to drive required information for electrical usage.
X52	Confirmation Status Code (GS1 Temporary Code) The CIC Confirmation Code must be of a type of code number that can be generated automatically by a computer system.
X53	Confirmation Status Code Description (GS1 Temporary Code) Provides the code description that matches up with the Code that can possibly be generated automatically by a computer system.
X54	Additional Confirmation Status Description (GS1 Temporary Code) Provides a way to communicate human entered information that may not be covered by the machine to machine codes and descriptions.
X55	Corrective Action (GS1 Temporary Code) Provides the corrective action code to fix the issue that caused the problem.
X56	Expected Corrective Information (GS1 Temporary Code) Provides the expected corrective information via a human entered information that may not be covered by the machine to machine codes.
X57	Electrical Usage Trade Item Classification Agency (GS1 Temporary Code) A classification agency or organisation whose product classification scheme is being provided to drive required information for electrical usage.
X58	ASFIS (GS1 Permanent Code) FAO alph-3 code list for fish species identification, commercial name & scientific name.
X59	FAO fishing areas (GS1 Permanent Code) FAO fishing areas codelist.
X60	FAO Fishing gear type (GS1 Permanent Code) FAO Fishing gear type codelist.
X61	EU fish quality (GS1 Permanent Code) EU fish quality grade code list (E, A, B, C).
X62	EU fish size (GS1 Permanent Code) EU fish standardized size code list (1, 2, 3, 4, 5 & One_Size).

Used Codes

X63	EU fish presentation (GS1 Permanent Code) EU fish presentation code list (3 or 5 char alpha code).
ZZZ	Mutually defined Self explanatory. Notes: This code value will be removed effective with directory D.04A.
1153	Reference code qualifier Code qualifying a reference.
AAK	Despatch advice number Reference number assigned by issuing party to a despatch advice.
DQ	Delivery note number Reference number assigned by the issuer to a delivery note.
GN	Government reference number A number that identifies a government reference. GS1 Description: This code value should not be used to provide the tax identification number for a party (use code VA).
ON	Order number (buyer) [1022] Reference number assigned by the buyer to an order.
1225	Message function code Code indicating the function of the message.
1	Cancellation Message cancelling a previous transmission for a given transaction.
5	Replace Message replacing a previous message.
9	Original Initial transmission related to a given transaction.
2005	Date or time or period function code qualifier Code qualifying the function of a date, time or period.
137	Document/message date/time (2006) Date/time when a document/message is issued. This may include authentication.
2379	Date or time or period format code Code specifying the representation of a date, time or period.

Used Codes

2	DDMMYY Calendar date: D = Day; M = Month; Y = Year.
101	YYMMDD Calendar date: Y = Year; M = Month; D = Day.
102	CCYYMMDD Calendar date: C = Century ; Y = Year ; M = Month ; D = Day.
104	MMWW-MMWW A period of time specified by giving the start week of a month followed by the end week of a month. Data is to be transmitted as consecutive characters without hyphen.
107	DDD Day's number within a specific year: D = Day.
108	WW Week's number within a specific year: W = Week.
109	MM Month's number within a specific year: M = Month.
110	DD Day's number within is a specific month.
201	YYMMDDHHMM Calendar date including time without seconds: Y = Year; M = Month; D = Day; H = Hour; M = Minute.
203	CCYYMMDDHHMM Calendar date including time with minutes: C=Century; Y=Year; M=Month; D=Day; H=Hour; M=Minutes.
204	CCYYMMDDHHMMSS Calendar date including time with seconds: C=Century;Y=Year; M=Month; D=Day;H=Hour;M=Minute;S=Second.
401	HHMM Time without seconds: H = Hour; m = Minute.
501	HHMMHHMM Time span without seconds: H = Hour; m = Minute;.
502	HHMMSS-HHMMSS Format of period to be given without hyphen.
602	CCYY Calendar year including century: C = Century; Y = Year.
609	YYMM Month within a calendar year: Y = Year; M = Month.

Used Codes

610	CCYYMM Month within a calendar year: CC = Century; Y = Year; M = Month.
615	YYWW Week within a calendar year: Y = Year; W = Week 1st week of January = week 01.
616	CCYYWW Week within a calendar year: CC = Century; Y = Year; W = Week (1st week of January = week 01).
713	YYMMDDHHMM-YYMMDDHHMM Format of period to be given in actual message without hyphen.
715	YYWW-YYWW A period of time specified by giving the start week of a year followed by the end week of year (both not including century). Data is to be transmitted as consecutive characters without hyphen.
717	YYMMDD-YYMMDD Format of period to be given in actual message without hyphen.
718	CCYYMMDD-CCYYMMDD Format of period to be given without hyphen.
719	CCYYMMDDHHMM-CCYYMMDDHHMM A period of time which includes the century, year, month, day, hour and minute. Format of period to be given in actual message without hyphen.
720	DHHMM-DHHMM Format of period to be given without hyphen (D=day of the week, 1=Monday; 2=Tuesday; ... 7=Sunday).
801	Year To indicate a quantity of years.
802	Month To indicate a quantity of months.
803	Week To indicate a quantity of weeks.
804	Day To indicate a quantity of days.
805	Hour To indicate a quantity of hours.
806	Minute To indicate a quantity of minutes.
810	Trimester To indicate a quantity of trimesters (three months).

Used Codes

811	Half month To indicate a quantity of half months.
21E	DDHHMM-DDHHMM (GS1 Temporary Code) Format of period to be given in actual message without hyphen.
3035	Party function code qualifier Code giving specific meaning to a party.
BY	Buyer Party to whom merchandise and/or service is sold.
SF	Ship from Identification of the party from where goods will be or have been shipped.
SU	Supplier Party who supplies goods and/or services. GS1 Description: Party which provides service(s) and/or manufactures or otherwise has possession of goods, and consigns or makes them available in trade.
3055	Code list responsible agency code Code specifying the agency responsible for a code list.
9	GS1 GS1 (formerly EAN International), an organisation of GS1 Member Organisations, which manages the GS1 System. GS1 Description: GS1 International.
91	Assigned by supplier or supplier's agent Codes assigned by a seller or seller's agent. GS1 Description: Code assigned by the supplier or supplier's agent.
246	GS1 Germany Organisation responsible for GS1 System in Germany. GS1 Description: German representative of International Article Numbering association (GS1).
3207	Country name code Identification of the name of the country or other geographical entity as defined in ISO 3166-1. Notes: 1. Use ISO 3166-1 two alpha country code.
AD	ANDORRA
AE	UNITED ARAB EMIRATES
AF	AFGHANISTAN

Used Codes

AG	ANTIGUA AND BARBUDA
AI	ANGUILLA
AL	ALBANIA
AM	ARMENIA
AN	NETHERLANDS ANTILLES
AO	ANGOLA
AQ	ANTARCTICA
AR	ARGENTINA
AS	AMERICAN SAMOA
AT	AUSTRIA
AU	AUSTRALIA
AW	ARUBA
AZ	AZERBAIJAN
BA	BOSNIA AND HERZEGOVINA
BB	BARBADOS
BD	BANGLADESH
BE	BELGIUM
BF	BURKINA FASO
BG	BULGARIA
BH	BAHRAIN
BI	BURUNDI
BJ	BENIN
BM	BERMUDA
BN	BRUNEI DARUSSALAM
BO	BOLIVIA
BR	BRAZIL
BS	BAHAMAS
BT	BHUTAN
BV	BOUVET ISLAND
BW	BOTSWANA
BY	BELARUS
BZ	BELIZE
CA	CANADA

Used Codes

CC	COCOS (KEELING) ISLANDS
CD	CONGO, THE DEMOCRATIC REPUBLIC OF THE
CF	CENTRAL AFRICAN REPUBLIC
CG	CONGO
CH	SWITZERLAND
CI	COTE D'IVOIRE
CK	COOK ISLANDS
CL	CHILE
CM	CAMEROON
CN	CHINA
CO	COLOMBIA
CR	COSTA RICA
CU	CUBA
CV	CAPE VERDE
CX	CHRISTMAS ISLAND
CY	CYPRUS
CZ	CZECH REPUBLIC
DE	GERMANY
DJ	DJIBOUTI
DK	DENMARK
DM	DOMINICA
DO	DOMINICAN REPUBLIC
DZ	ALGERIA
EC	ECUADOR
EE	ESTONIA
EG	EGYPT
EH	WESTERN SAHARA
ER	ERITREA
ES	SPAIN
ET	ETHIOPIA
FI	FINLAND
FJ	FIJI
FK	FALKLAND ISLANDS (MALVINAS)

Used Codes

FM	MICRONESIA, FEDERATED STATES OF
FO	FAROE ISLANDS
FR	FRANCE
GA	GABON
GB	UNITED KINGDOM
GD	GRENADA
GE	GEORGIA
GF	FRENCH GUIANA
GH	GHANA
GI	GIBRALTAR
GL	GREENLAND
GM	GAMBIA
GN	GUINEA
GP	GUADELOUPE
GQ	EQUATORIAL GUINEA
GR	GREECE
GS	SOUTH GEORGIA AND THE SOUTH SANDWICH ISLANDS
GT	GUATEMALA
GU	GUAM
GW	GUINEA-BISSAU
GY	GUYANA
HK	HONG KONG
HM	HEARD ISLAND AND MCDONALD ISLANDS
HN	HONDURAS
HR	CROATIA
HT	HAITI
HU	HUNGARY
ID	INDONESIA
IE	IRELAND
IL	ISRAEL
IN	INDIA
IO	BRITISH INDIAN OCEAN TERRITORY
IQ	IRAQ

Used Codes

IR	IRAN, ISLAMIC REPUBLIC OF
IS	ICELAND
IT	ITALY
JM	JAMAICA
JO	JORDAN
JP	JAPAN
KE	KENYA
KG	KYRGYZSTAN
KH	CAMBODIA
KI	KIRIBATI
KM	COMOROS
KN	SAINT KITTS AND NEVIS
KP	KOREA, DEMOCRATIC PEOPLE'S REPUBLIC OF
KR	KOREA, REPUBLIC OF
KW	KUWAIT
KY	CAYMAN ISLANDS
KZ	KAZAKSTAN
LA	LAO PEOPLE'S DEMOCRATIC REPUBLIC
LB	LEBANON
LC	SAINT LUCIA
LI	LIECHTENSTEIN
LK	SRI LANKA
LR	LIBERIA
LS	LESOTHO
LT	LITHUANIA
LU	LUXEMBOURG
LV	LATVIA
LY	LIBYAN ARAB JAMAHIRIYA
MA	MOROCCO
MC	MONACO
MD	MOLDOVA, REPUBLIC OF
MG	MADAGASCAR
MH	MARSHALL ISLANDS

Used Codes

MK	MACEDONIA, THE FORMER YUGOSLAV REPUBLIC OF
ML	MALI
MM	MYANMAR
MN	MONGOLIA
MO	MACAU
MP	NORTHERN MARIANA ISLANDS
MQ	MARTINIQUE
MR	MAURITANIA
MS	MONTSERRAT
MT	MALTA
MU	MAURITIUS
MV	MALDIVES
MW	MALAWI
MX	MEXICO
MY	MALAYSIA
MZ	MOZAMBIQUE
NA	NAMIBIA
NC	NEW CALEDONIA
NE	NIGER
NF	NORFOLK ISLAND
NG	NIGERIA
NI	NICARAGUA
NL	NETHERLANDS
NO	NORWAY
NP	NEPAL
NR	NAURU
NU	NIUE
NZ	NEW ZEALAND
OM	OMAN
PA	PANAMA
PE	PERU
PF	FRENCH POLYNESIA
PG	PAPUA NEW GUINEA

Used Codes

PH	PHILIPPINES
PK	PAKISTAN
PL	POLAND
PM	SAINT PIERRE AND MIQUELON
PN	PITCAIRN
PR	PUERTO RICO
PS	PALESTINIAN TERRITORY, OCCUPIED
PT	PORTUGAL
PW	PALAU
PY	PARAGUAY
QA	QATAR
RE	REUNION
RO	ROMANIA
RS	SERBIA
RU	RUSSIAN FEDERATION
RW	RWANDA
SA	SAUDI ARABIA
SB	SOLOMON ISLANDS
SC	SEYCHELLES
SD	SUDAN
SE	SWEDEN
SG	SINGAPORE
SH	SAINT HELENA
SI	SLOVENIA
SJ	SVALBARD AND JAN MAYEN
SK	SLOVAKIA
SL	SIERRA LEONE
SM	SAN MARINO
SN	SENEGAL
SO	SOMALIA
SR	SURINAME
ST	SAO TOME AND PRINCIPE
SV	EL SALVADOR

Used Codes

SY	SYRIAN ARAB REPUBLIC
SZ	SWAZILAND
TC	TURKS AND CAICOS ISLANDS
TD	CHAD
TF	FRENCH SOUTHERN TERRITORIES
TG	TOGO
TH	THAILAND
TJ	TAJIKISTAN
TK	TOKELAU
TM	TURKMENISTAN
TN	TUNISIA
TO	TONGA
TP	EAST TIMOR
TR	TURKEY
TT	TRINIDAD AND TOBAGO
TV	TUVALU
TW	TAIWAN, PROVINCE OF CHINA
TZ	TANZANIA, UNITED REPUBLIC OF
UA	UKRAINE
UG	UGANDA
UM	UNITED STATES MINOR OUTLYING ISLANDS
US	UNITED STATES
UY	URUGUAY
UZ	UZBEKISTAN
VA	HOLY SEE (VATICAN CITY STATE)
VC	SAINT VINCENT AND THE GRENADINES
VE	VENEZUELA
VG	VIRGIN ISLANDS, BRITISH
VI	VIRGIN ISLANDS, U.S.
VN	VIET NAM
VU	VANUATU
WF	WALLIS AND FUTUNA
WS	SAMOA

Used Codes

YE	YEMEN
YT	MAYOTTE
YU	YUGOSLAVIA
ZA	SOUTH AFRICA
ZM	ZAMBIA
ZW	ZIMBABWE
3227	Location function code qualifier Code identifying the function of a location.
7	Place of delivery (3246) Place to which the goods are to be finally delivered under transport contract terms (operational term).
14	Location of goods (3384) Place where goods are located and where they are available for examination.
4233	Marking instructions code Code specifying instructions for marking.
33E	Marked with serial shipping container code (GS1 Temporary Code) Indication that the serial shipping container code has been marked on a package.
4347	Product identifier code qualifier Code qualifying the product identifier.
5	Product identification The item number is for product identification.
6063	Quantity type code qualifier Code qualifying the type of quantity.
445	Return to the manufacturer A quantity of products sent back from the manufacturer.
6311	Measurement purpose code qualifier Code qualifying the purpose of the measurement.
AAE	Measurement [6314] Value of the measured unit.
6313	Measured attribute code Code specifying the attribute measured.

Used Codes

G	Gross weight [6292] Weight (mass) of goods including packing but excluding the carrier's equipment. GS1 Description: The field of implementation of this code is the area of transport and related activities such as the preparation of goods into consignments for shipping.
NPP	Number of pallet places (GS1 Temporary Code) The number of pallet places needed to store or transport pallets (can be stacked).
6411	Measurement unit code Code specifying the unit of measurement. Notes: 1. Recommend use UN/ECE Recommendation 20, Common code.
001	Barrel (205 litres, 45 gallons) (GS1 Temporary Code)
002	Degree days (GS1 Temporary Code)
003	Gigacaloric (GS1 Temporary Code)
04	small spray
23	gram per cubic centimetre GS1 Description: g/cm ³ as a unit of measure for the density of gas. This is necessary for dangerous substance articles for determination of the quantities that can be stored together on the shelf.
25	gram per square centimetre GS1 Description: A measure of weight in terms of gram per square centimetre.
28	kilogram per square metre GS1 Description: Unit of measure expressed in kilogram per square metre.
37	ounce per square foot
59	part per million
64	Pound per square inch, gauge A unit of measure expressed in pound per square inch
2N	decibel
2X	metre per minute GS1 Description: A measure of speed in terms of metres per minute.
4K	milliampere
4L	megabyte GS1 Description: A unit of computer memory equal to 1.048.576 (i.e. 2 power 20) bytes.

Used Codes

40	microfarad GS1 Description: One millionth of a farad. A farad is the capacitance of a capacitor between the plates of which a potential of 1 volt is created by a charge of 1 Coulomb.
4P	newton per metre
A25	cheval vapeur
A86	gigahertz GS1 Description: Hertz multiplied by 10*9.
A99	Bit A unit of information equal to one binary digit.
ACR	acre GS1 Description: Acre (4840 yd ²)
AD	byte GS1 Description: A unit of information stored in a computer, equal to eight bits.
AMH	ampere hour GS1 Description: Ampere-hour (3,6kC)
AMP	ampere
AMT	Amount (GS1 Temporary Code) A measurement of monetary amount.
ANN	year GS1 Description: The expression of a year as a measure unit.
APX	Troy ounce (31.10348 g) (GS1 Temporary Code)
APZ	Troy ounce or apothecary ounce EDIFACT
ASM	alcoholic strength by mass GS1 Description: Alcoholic strength expressed by mass.
ASU	alcoholic strength by volume GS1 Description: Alcoholic strength expressed by volume.
AV	capsule GS1 Description: Encapsuled dosage form for pharmaceuticals.
B13	Joule per square metre A unit of measure of heat energy expressed in joule per square metre.

Used Codes

B17	Credit A unit of count defining the number of entries made to the credit side of an account.
BAR	bar GS1 Description: A unit of measure equal to 106 dines per square centimeter.
BTU	British thermal unit GS1 Description: British thermal unit (1,055 kilojoules)
C0	call GS1 Description: Unit of measure for telephone calls. Code value is C0 (C Zero).
C60	ohm centimetre GS1 Description: Unit of measure expressed in Ohm centimetre.
C79	Kilovolt Ampere Hour A unit of accumulated energy of 1000 volt amperes over a period of one hour. EDIFACT
CDL	candela GS1 Description: Unit of measure of light intensity.
CEL	degree celsius
CF2	Colony forming unit per gram (GS1 Temporary Code) Colony forming units per gram is a unit of measure for micro-organisms, such as bacteria, in a food item. Micro-organisms form colonies that are be counted under determined conditions
CLT	centilitre GS1 Description: A unit of volume equal to one hundredth of a liter.
CMK	square centimetre
CMQ	cubic centimetre GS1 Description: A system of units for the measurement of volume based on the cubic centimetre.
CMT	centimetre
D19	Square metre kelvin per watt Unit of measure of thermal insulance expressed in square metre kelvin per watt.
D21	square metre per kilogram GS1 Description: Unit of measure expressed in square metre per kilogram.
D32	Terawatt hour A unit of measure expressed in terawatt hour

Used Codes

D5	Kilogram per square centimetre A unit of measure expressed in kilogram per square centimetre
D55	Watt per square metre kelvin Unit of measure of thermal conductance expressed in watt per square metre kelvin.
D68	Number of Words A unit of count defining the number of words. EDIFACT
DAY	day GS1 Description: The expression of a day as a measure unit.
DD	degree GS1 Description: Unit of measure of temperature.
DMQ	cubic decimetre GS1 Description: Unit of measure expressed in cubic decimetre.
DMT	decimetre
DOS	Dose (GS1 Temporary Code) An amount of medicine, etc administered at one time.
DRG	Dragée (GS1 Temporary Code) Number of dragées (coated tablets) contained in the item's package as a measurement unit.
DZN	dozen GS1 Description: A unit of measure of 12 or group of 12.
E09	Milliampere hour A unit of power load delivered at the rate of one thousandth of an ampere over a period of one hour. EDIFACT
E10	Degree day A unit of measure used in meteorology and engineering to measure the demand for heating or cooling over a given period of days. EDIFACT
E11	Gigacalorie A unit of heat energy equal to one thousand million calories. EDIFACT
E27	Dose A unit of count defining the number of doses (dose: a definite quantity of a medicine or drug). EDIFACT

Used Codes

E31	Square metre per litre A unit of count defining the number of square metres per litre. EDIFACT
E32	Litre per hour A unit of count defining the number of litres per hour. EDIFACT
E34	Gigabyte A unit of information equal to 10 E9 bytes.
E37	Pixel A unit of count defining the number of pixels (pixel: picture element).
E38	Megapixel A unit of count equal to 10 E6 (1000000) pixels (picture elements).
E39	Dots per inch A unit of information defining the number of dots per linear inch as a measure of the resolution or sharpness of an image. GS1 Description: synonym: pixels per inch.
EA	each
EV	envelope GS1 Description: A unit of measure pertaining to the number of envelopes.
FAH	degree Fahrenheit
FOT	foot GS1 Description: Foot (0,3048 m)
FP	Pound per square foot A unit of measure expressed in pound per square foot
FTK	Square foot A unit of measure expressed in square foot
FTQ	cubic foot
GL	gram per litre
GLI	gallon (UK) GS1 Description: Gallon (4,546092 dm ³)
GM	gram per square metre GS1 Description: Unit of measure of grams per square metre.
GRM	gram
GRO	gross GS1 Description: A unit of measure of 12 dozens.

Used Codes

GV	gigajoule
GWH	gigawatt hour GS1 Description: Gigawatt-hour (1 million kW/h)
H87	Piece A unit of count defining the number of pieces (piece: a single item, article or exemplar). EDIFACT
HLT	hectolitre
HMT	hectometre A unit of linear measure equal to 10 E2 metres.
HTZ	hertz GS1 Description: One cycle per second.
HUR	hour
INH	inch GS1 Description: Inch (25,4 mm)
INK	Square inch A unit of measure expressed in square inch
JM	Megajoule per cubic metre EDIFACT
JOU	joule
K51	Kilocalorie (mean) EDIFACT
KAH	Kilovolt Ampere Hour (GS1 Temporary Code) A unit of measure expressed in Kilovolt Ampere Hour.
KB	kilocharacter
KBA	kilobar
KCL	Kilocalorie (GS1 Temporary Code) Unit of measure for the calorific value of the item (= 1000 cal).
KEL	kelvin
KGM	kilogram
KHZ	kilohertz
KJO	kilojoule
KL	kilogram per metre GS1 Description: A measure of weight in terms of kilogram per metre.

Used Codes

KMH	kilometre per hour GS1 Description: A unit of measure expressed in kilometre per hour.
KMQ	kilogram per cubic metre GS1 Description: A measure of weight in terms of kilogram per cubic metre.
KPA	kilopascal GS1 Description: Unit of measure expressed in kilopascal.
KTM	kilometre
KVA	kilovolt - ampere GS1 Description: A unit of electric power.
KVT	kilovolt
KWH	kilowatt hour
KWT	kilowatt
L2	litre per minute GS1 Description: Unit of measure expressed in litre per minute.
LBR	Pound EDIFACT
LD	Litre per day A unit of measure defining the number of litres per day.
LIH	Litre per hour (GS1 Temporary Code) Unit of measure expressed in litre per hour.
LNE	Printed line count (GS1 Temporary Code) The indication of the count of printed lines included on a paper communication (e.g. telegram) for invoicing purposes.
LTR	litre GS1 Description: Litre (1 dm ³)
LUX	lux GS1 Description: Unit of measure of illumination (it corresponds to the illumination of a surface which normally and uniformly receives a light flow of 1 lumen per square meter).
M4	Monetary value A unit of measure expressed as a monetary amount. EDIFACT
MAL	mega litre
MAW	megawatt

Used Codes

MC	microgram One millionth of a gram.
MCU	millicurie GS1 Description: Unit of measure for radioactivity.
MGM	milligram
MHZ	megahertz
MIN	minute
MLT	millilitre
MMK	square millimetre GS1 Description: A unit to measure a surface equal to one millionth of a quadrate.
MMQ	cubic millimetre GS1 Description: A unit of measure expressed in cubic milimetres.
MMT	millimetre
MON	month GS1 Description: The expression of a month as a measure unit.
MPA	megapascal GS1 Description: A unit of measure expressed in Megapascal.
MQH	Cubic metre per hour A unit of measure defining the number of cubic metres per hour.
MTA	Micro farad (GS1 Temporary Code) One millionth of a farad. A farad is the capacitance of a capacitor between the plates of which a potential of 1 volt is created by a charge of 1 Coulomb.
MTK	square metre
MTQ	cubic metre
MTR	metre
MTS	Metre per second A unit of speed expressed in metres per second.
MWH	megawatt hour (1000 kW.h)
NAR	number of articles
NEW	newton GS1 Description: The SI unit of force, equal to the force that would give a mass of one kilogram an acceleration of one metre per second.
NIU	number of international units A unit of count defining the number of international units.

Used Codes

NRL	number of rolls
ONZ	ounce GS1 Description: Ounce GB, US (28,349523 g)
OZA	fluid ounce (US) GS1 Description: Fluid ounce US (29,5735 cm ³)
OZI	fluid ounce (UK) GS1 Description: Fluid ounce UK (28,413 cm ³)
P1	percent GS1 Description: This code is used to indicate measurements in terms of percentages, e.g. the relative humidity (code RA in data element 6313) is 52%.
PA	packet
PAL	pascal GS1 Description: The SI unit of pressure, equal to one Newton per square metre.
PCE	Piece (GS1 Temporary Code)
PF	pallet (lift) GS1 Description: A number of articles expressed in terms of pallets.
PND	Pound (GS1 Temporary Code)
PR	pair GS1 Description: Two articles which belong together but are not necessarily identical.
PTI	pint (UK) GS1 Description: Pint UK (0,568262 dm ³)
PTN	Portion (GS1 Temporary Code) The identification of the number of portions (doses in medical terms) into which a complete product may be broken into for serving purposes, e.g. a pie with 6 portions, a liquid medicine with 20 doses.
QAN	quarter (of a year)
QTI	quart (UK) GS1 Description: Quart UK (1,1136523 dm ³)
RJH	Decanewton (GS1 Temporary Code) A unit of force equal to 10 Newton.
RPM	revolutions per minute
RTO	Ratio (GS1 Temporary Code)
SEC	second

Used Codes

SMI	Mile (statute mile) A unit of measure expressed in mile
SML	Square metre per litre (GS1 Temporary Code) Unit of measure expressed in square metre per litre.
ST	sheet
TNE	tonne (metric ton) GS1 Description: Metric ton (1000kg)
U2	tablet A unit of count defining the number of tablets (tablet: a small flat or compressed solid object). GS1 Description: Dosage form for pharmaceuticals, pressed or compacted from a powder into a solid dose.
UI	Unit of activity, predefined (GS1 Temporary Code) A measure pertaining to a predefined activity.
VI	vial GS1 Description: Small glass container. E.g. for a liquid medicine or perfume.
VLT	volt
WHR	watt hour
WRD	Word (GS1 Temporary Code) The specification of a word as a measurement unit, e.g. 21 words in a telex.
WTT	watt
YDK	Square yard A unit of measure expressed in square yard
YRD	yard GS1 Description: Yard (0,9144 m)
ZE	Milliampere hour (GS1 Temporary Code) A practical unit of quantity of electricity; the quantity that flows in one hour through a conductor carrying a current of 1 Ampere. 1 Ampere-hour is the equivalent to 36000 Coulombs.
ZP	page GS1 Description: The indication of a page as a measurement unit for invoicing purposes, e.g. fax pages.
7001	Physical or logical state type code qualifier Code qualifying the type of physical or logical state.

Used Codes

1	Upon receipt At the time of receipt.
7007	Physical or logical state description code Code specifying a physical or logical state.
4	Damaged In a damaged state.
5	Good condition In a state of good condition.
15	Obsolete The object is obsolete. GS1 Description: The item is obsolete and no longer fit for sale.
17	Defective The object is defective or faulty. GS1 Description: A book may be defective for two principal reasons. The reason could be indicated in DE 7006 if necessary. EDIFACT
12E	Return goods (GS1 Temporary Code) Identified goods are to be returned according to specified conditions.
13E	Dispose of goods (GS1 Temporary Code) The identified goods are to be disposed of.
14E	Destroy goods (GS1 Temporary Code) The identified goods are to be destroyed.
15E	Repair goods (GS1 Temporary Code) The identified goods are to be repaired.
16E	Hold for examination (GS1 Temporary Code) The identified goods are to be held for examination.
17E	Return refused (GS1 Temporary Code) The return of the identified goods has been refused.
18E	Defective (GS1 Temporary Code) A book may be defective for two principal reasons. The reason could be indicated in DE 7006 if necessary.
7065	Package type description code Code specifying the type of package. Notes: 1. Recommend use UN/ECE Recommendation No. 21 (also, see current volume of UNTDED).

Used Codes

08	Oneway pallet (GS1 Temporary Code) Pallet need not be returned to the point of expedition.
09	Returnable pallet (GS1 Temporary Code) Pallet must be returned to the point of expedition.
200	Pallet ISO 0 - 1/2 EURO Pallet (GS1 Temporary Code) Standard pallet with dimensions 80 X 60 cm.
201	Pallet ISO 1 - 1/1 EURO Pallet (GS1 Temporary Code) Standard pallet with dimensions 80 X 120 cm.
202	Pallet ISO 2 (GS1 Temporary Code) Standard pallet with dimensions 100 X 120 cm.
203	1/4 EURO Pallet (GS1 Temporary Code) Standard pallet with dimensions 60 X 40 cm.
204	1/8 EURO Pallet (GS1 Temporary Code) Standard pallet with dimensions 40 X 30 cm.
205	Synthetic pallet ISO 1 (GS1 Temporary Code) A standard pallet with standard dimensions 80*120cm made of a synthetic material for hygienic reasons.
206	Synthetic pallet ISO 2 (GS1 Temporary Code) A standard pallet with standard dimensions 100*120cm made of a synthetic material for hygienic reasons.
210	Wholesaler pallet (GS1 Temporary Code) Pallet provided by the wholesaler.
211	Pallet 80 X 100 cm (GS1 Temporary Code) Pallet with dimensions 80 X 100 cm.
212	Pallet 60 X 100 cm (GS1 Temporary Code) Pallet with dimensions 60 X 100 cm.
5L	Bag, textile GS1 Description: A bag made of textile.
5M	Bag, paper GS1 Description: A bag made of paper.
AE	Aerosol A spray can dispensing paint, furniture polish, etc, under pressure.
AH	Pallet 100cms * 110cms Standard sized pallet of dimensions 100centimeters by 110 centimeters (cms). EDIFACT
AI	Clamshell EDIFACT

Used Codes

APE	Aluminium packed (GS1 Temporary Code) Packaging using thin sheets of aluminium.
AT	Atomizer A device to shoot out a fine spray, e.g. medicine, perfume, etc.
BA	Barrel A wooden or plastic container with slightly bulging sides and flat ends.
BC	Bottlecrate, bottlerack A container for the storage or movement of bottles.
BE	Bundle A number of items grouped loosely together in a package by means of tying.
BG	Bag A non-rigid container made of fabric, paper, plastic, etc, with an opening at the top which can be closed.
BGE	Large bag, pallet sized (GS1 Temporary Code) A non-rigid container made of fabric, paper, plastic, etc, with an opening at the top which can be closed and which is suitable for use on pallets.
BJ	Bucket A container with a handle, used for carrying water, mayonnaise, etc.
BL	Bale, compressed A large bundle, as of cotton, hay, straw, etc, which is compressed and bound.
BM	Basin GS1 Description: A deep open container.
BME	Blister pack (GS1 Temporary Code) A transparent strip package of pressable plastic which allows the product to be displayed while remaining protected.
BN	Bale, non-compressed A large bundle, as of cotton, hay, straw, etc, which is not compressed or bound.
BO	Bottle, non-protected, cylindrical A non-protected cylindrical container with a narrow neck made usually of glass or plastic which is especially used for liquids.
BR	Bar An oblong package, usually used for soap.
BRI	Brick (GS1 Temporary Code) A box made of a cardboard, plastic or metal, used for liquids.
BS	Bottle, non-protected, bulbous A non-protected cylindrical container with a bulbous base and a narrow neck made usually of glass or plastic which is especially used for liquids.

Used Codes

BU	Butt A large barrel or cask which is usually used to store or move liquids.
BX	Box A lidded package which can be made of cardboard, wood, plastic, tin, etc.
CA	Can, rectangular A rectangular container which is usually made of metal and has a separate cover.
CBL	Container bottle like (GS1 Temporary Code) A non-protected, non-cylindrical, container with a narrow neck made usually of glass or plastic which is especially used for liquids, e.g. perfume bottle.
CCE	Cardboard carrier (GS1 Temporary Code) A package made of cardboard.
CD	Can, with handle and spout GS1 Description: A can with a handle and spout which allows the lifting and pouring of liquids contained within the can.
CG	Cage A cage without wheels.
CM	Card A flat package usually made of fibreboard from/to which the product is often hung or attached. EDIFACT
CMS	Clamshell (GS1 Temporary Code) A package with a base and top that are hinged together. E.g. video cassette case.
CN	Container, not otherwise specified as transport equipment GS1 Description: A receptacle in which something is kept and/or transported.
CR	Crate A packaging case which is usually made of wooden slats.
CS	Case A package such as a box.
CT	Carton A cardboard box or container.
CU	Cup A small bowl shaped container for beverages, often with a handle.
CW	Cage, roll GS1 Description: A three sided cage mounted on wheels.

Used Codes

CX	Can, cylindrical A cylindrical container which is usually made of metal and has a separate cover.
CY	Cylinder A cylindrical container, which is usually made of cardboard and may have a separate cover.
D99	Sleeve A non-rigid container made of paper, cardboard or plastic that is open-ended and is slid over the contents for protection or presentation.
DA	Crate, multiple layer, plastic GS1 Description: Plastic crate which contains multiple layers.
DB	Crate, multiple layer, wooden GS1 Description: Wooden crate which contains multiple layers.
DC	Crate, multiple layer, cardboard
DG	Cage, Commonwealth Handling Equipment Pool (CHEP)
DH	Box, Commonwealth Handling Equipment Pool (CHEP), Eurobox
DJ	Demijohn, non-protected A large bulbous container made of glass with a narrow neck, which is especially used with liquids (oil, wine).
DK	Crate, bulk, cardboard
DL	Crate, bulk, plastic
DM	Crate, bulk, wooden
DN	Dispenser
DP	Demijohn, protected A large bulbous protected container made of glass with a narrow neck, which is especially used with liquids (oil, wine).
DPE	Display package (GS1 Temporary Code) A package used for the display of goods, usually during a promotion.
DR	Drum A cylindrical container usually used for the storage and movement of oil.
DS	Tray, one layer no cover, plastic
DT	Tray, one layer no cover, wooden
DU	Tray, one layer no cover, polystyrene
DV	Tray, one layer no cover, cardboard
DW	Tray, two layers no cover, plastic tray
DX	Tray, two layers no cover, wooden

Used Codes

DY	Tray, two layers no cover, cardboard
EC	Bag, plastic
ED	Case, with pallet base
EE	Case, with pallet base, wooden
EF	Case, with pallet base, cardboard
EG	Case, with pallet base, plastic
EH	Case, with pallet base, metal
EI	Case, isothermic
EN	Envelope A non-rigid container, made of paper or plastic, that can be opened with a tear or a cut.
FOB	Folding box (GS1 Temporary Code) Folded cardboard box e.g for products like frozen vegetables, paper clips
FP	Filmpack Packaging using a clear thin plastic.
FPE	Foil packed (GS1 Temporary Code) Packaging using a metallic foil.
FT	Foodtainer
GB	Bottle, gas
HA	Basket, with handle, plastic
HB	Basket, with handle, wooden
HC	Basket, with handle, cardboard
HR	Hamper A large basket usually with a cover which is used to store different types of foodstuffs.
IA	Package, display, wooden
IB	Package, display, cardboard
IC	Package, display, plastic
ID	Package, display, metal
IE	Package, show
IF	Package, flow
JC	Jerrican, rectangular A rigid rectangular container with a lid which is usually used for the storage and movement of oil, gasoline, etc.
JG	Jug A container used for storing and pouring the goods.

Used Codes

JR	Jar GS1 Description: A container made of glass, stone, earthenware or plastic with a large opening, which is used to store products, e.g. jams, cosmetics.
JT	Jutebag A bag made of strong fibres.
JY	Jerrican, cylindrical A rigid cylindrical container with a lid which is usually used for the storage and movement of oil, gasoline, etc.
LAB	Labeled package (GS1 Temporary Code) The package is labeled. Usually the label identifies the name, brand or description of the product within the package.
LG	Log
MPE	Multipack (GS1 Temporary Code) A container for the merchandising of multiple units of the same product.
NE	Unpacked or unpackaged A product merchandised or sold without packaging.
NU	Net, tube, plastic
NV	Net, tube, textile
OA	Pallet, CHEP 40 cm X 60 cm CHEP standard pallet of dimension 40 centimeters X 60 centimeters.
OB	Pallet, CHEP 80 cm X 120 cm CHEP standard pallet of dimension 80 centimeters X 120 centimeters
OC	Pallet, CHEP 100 cm X 120 cm CHEP standard pallet of dimension 100 centimeters X 120 centimeters
OD	Pallet, AS 4068-1993 Australian standard Pallet of dimensions 115.5 centimeters X 116.5 centimeters
OE	Pallet, ISO T11 ISO standard pallet of dimensions 110 centimeters x110 centimeters, prevalent in Asia – Pacific region.
OF	Platform, unspecified weight or dimension A pallet equivalent shipping platform of unknown dimensions or unknown weight.
OPE	Oxygen packed (GS1 Temporary Code) A package with oxygen added for storage purposes.
PA	Packet Package type used for the smallest trade unit, e.g., a packet of 20 cigarettes, a packet of potato chips.

Used Codes

PAE	Paper (GS1 Temporary Code) An indication that the item(s) is packed in paper.
PB	Pallet, box
PC	Parcel A small wrapped package.
PD	Pallet, modular, collars 80cms * 100cms
PE	Pallet, modular, collars 80cms * 120cms
PG	Plate A smooth flat thin piece of metal, e.g. steel plate.
PJ	Punnet EDIFACT
PK	Package A wrapped or boxed item.
PL	Pail GS1 Description: An open-topped container usually made of metal or plastic, generally used to carry liquids.
PLP	Peel pack (GS1 Temporary Code) A package used for sterile products which may be torn open without touching the product inside.
PO	Pouch A small bag or sack.
POP	Cone shaped paper wrapper (GS1 Temporary Code) Cone shaped paper wrapping e.g. for an individually packed ice cream cone.
PPE	Polypropylene bag (GS1 Temporary Code) A bag made from polypropylene.
PU	Tray A board with a ring for carrying small articles.
PUE	Tray packed in plastic (GS1 Temporary Code) A board with a ring packed in plastic carrying for small articles.
PUN	Punnet (GS1 Temporary Code) A small shallow basket usually made of plastic.
PX	Pallet
RB1	A wheeled pallet with raised rim (GS1 Temporary Code). 81 x 67 x 135 cm (length x width x height). A wheeled pallet with raised rim for the storing and transporting of loads. Dimensions: 81 x 67 x 135 cm (length x width x height).

Used Codes

RB2	A Wheeled pallet with raised rim (GS1 Temporary Code). 81 x 72 x 135 cm (length x width x height). A wheeled pallet with raised rim for the storing and transporting of loads. Dimensions: 81 x 72 x 135 cm (length x width x height).
RB3	Wheeled pallet with raised rim. 81 x 60 x 16 cm (length x width x height). (GS1 Temporary Code) A wheeled pallet with raised rim for the storing and transporting of loads. Dimensions: 81 x 60 x 16 cm (length x width x height).
RCB	Two sided cage on wheels with fixing strap (GS1 Temporary Code) 900 x 770 x 1513 cm (length x width x height) A two sided cage mounted on wheels with fixing strap. Dimensions: 900 x 770 x 1513 cm (length x width x height).
RG	Ring A hollow circular band of material wound around itself.
RJ	Rack, clothing hanger
RL	Reel A spool on which thread, wire, film, etc, is wound.
RO	Roll A package of goods wound into a ball or cylinder.
SA	Sack A large bag of coarse cloth for storing or moving grain, foodstuffs, etc.
SEC	Article Surveillance (GS1 Temporary Code) Equipped with article surveillance.
SH	Sachet A small sealed envelope.
SL	Slipsheet A firm sheet of plastic, cardboard or other material which may be hooked or attached to a forklift or other transportation equipment. The slipsheet is used to pull products stacked on top of it.
SO	Spool Any cylindrical piece on which something is wound.
SP	Sheet, plastic wrapping EDIFACT
STL	Stick (GS1 Temporary Code) A container for dispensing solid substances, e.g. glue, deodorant.
SW	Shrinkwrapped A transport unit load whose contents are secured together through the use of transparent or semi-transparent filmwrap.
SX	Set

Used Codes

T1	Tablet A loose or unpacked article in the form of a bar, block or piece. EDIFACT
TAE	Tablet (GS1 Temporary Code) A small rectangular package of aluminium foil or paper, e.g. a tablet of chocolate.
TB	Tub A round, open, flat bottomed wooden container.
TEV	Tamper evident package (GS1 Temporary Code) A type of package giving easy or immediate recognition that the package has been tampered with after it has been sealed.
THE	Three pack (GS1 Temporary Code) A package containing three products.
TL	Tub, with lid EDIFACT
TRE	Trolley (GS1 Temporary Code) A low cart for the transportation and storage of groceries, milk, etc.
TTE	Tube, standing (GS1 Temporary Code) A screw-topped pliable cylinder capable of standing and suitable for holding pastes or semi-liquids, e.g. a tube of toothpaste.
TU	Tube A screw-topped pliable cylinder suitable for holding pastes or semi-liquids, e.g. a tube of toothpaste.
TV	Tube, with nozzle
TWE	Two pack (GS1 Temporary Code) A package containing two products.
TY	Tank, cylindrical A cylindrical container suitable for the storage or transportation of liquids or gases.
UUE	Tube net (GS1 Temporary Code) A plastic or textile tube suitable for carrying loose products, e.g. fruit.
UVQ	Wrapped in plastic sheet (GS1 Temporary Code) An indication that the items have been wrapped in plastic sheet.
VI	Vial Small (usually glass) container. E.g. for a liquid medicine or perfume.
VP	Vacuumpacked A package from which all air has been removed in order to keep the contents fresh.

Used Codes

WRP	Wrapper (GS1 Temporary Code) Wrapping e.g. for an individually packed ice cream.
X10	Tub with lid (GS1 Temporary Code) A small, usually plastic, container with a lid for food, e.g. ice cream.
X11	Banded package (GS1 Temporary Code) A package with bands, usually metal or nylon, round it to hold the products together.
X12	Cardboard package with grip holes for bottles (GS1 Temporary Code) Cardboard package with a number of holes. Each hole is to be gripped tightly around the neck of a bottle.
X14	Card (GS1 Temporary Code) A flat package usually made of fibreboard from/to which the product is often hung or attached.
X15	Oneway pallet ISO 0 - 1/2 EURO Pallet (GS1 Temporary Code) Oneway pallet with dimensions 80 X 60 cm.
X16	Oneway pallet ISO 1 - 1/1 EURO Pallet (GS1 Temporary Code) Oneway pallet with dimensions 80 X 120 cm.
X17	Pallet with exceptional dimensions (GS1 Temporary Code) Pallet with non-standard dimensions.
X18	Parcel with exceptional dimensions (GS1 Temporary Code) Parcel with non-standard dimensions.
X3	Standard stack of stones (GS1 Temporary Code) Standard stack of stones.
X9	Pallet 100 X 110 cm (GS1 Temporary Code) Pallet with dimensions 100 X 110 cm.
7073	Packaging terms and conditions code Code specifying the packaging terms and conditions.
1	Packaging cost paid by supplier The cost of packaging is paid by the supplier.
2	Packaging cost paid by recipient The cost of packaging is paid by the recipient.
3	Packaging cost not charged (returnable) There is no charge for packaging because it is returnable.
24	Rented The package has been, or will be, rented. EDIFACT

Used Codes

25	Safe return deposit A deposit paid to guarantee the safe return of the package.
26	Not reusable The package is not reusable. GS1 Description: The equipment may only be used once and is not reusable for the purpose for which it was designed.
27	Package exchangeable at the point of delivery The package may be exchanged at the point of delivery.
29	Labeled The package is labeled. EDIFACT
1E	Unpack from (GS1 Temporary Code) Code identifying that goods should be unpacked from the identified package.
2E	Repack in (GS1 Temporary Code) Code identifying that goods should be repacked from the identified package.
3E	Pack in (GS1 Temporary Code) Code identifying that goods should be packed from the identified package.
4E	Rented (GS1 Temporary Code) The package has been/will be rented from a rental agency (e.g. CHEP pallets).
LAB	Labeled (GS1 Temporary Code) The package is labeled.
X11	Packaging recycling fee paid by supplier (GS1 Temporary Code) The fee for recycling packaging is paid by the supplier.
XX1	Exchange Pallets (GS1 Temporary Code)
XX2	Return Pallets (GS1 Temporary Code)
XX3	Pallet - Third Party Exchange (GS1 Temporary Code)
XX4	No Exchange / No Return Pallet (GS1 Temporary Code)
7077	Description format code Code specifying the format of a description.
A	Free-form long description Long description of an item in free form.
B	Code and text Description of an item in coded and free form text.
C	Code (from industry code list) Description of an item in coded format. GS1 Description: Description of an item provided in coded format from an industry list.

Used Codes

D	Free-form price look up Price look-up description of a product for point of sale receipts.
E	Free-form short description Short description of an item in free form.
F	Free-form Description of an item in free form text. GS1 Description: Item related general free form text description, which is neither a short or long description of the item itself.
S	Structured (from industry code list) Description of an item in a structured format.

7143 Item type identification code
Coded identification of an item type.

SA Supplier's article number
Number assigned to an article by the supplier of that article.

SRV GS1 Global Trade Item Number
A unique number, up to 14-digits, assigned according to the numbering structure of the GS1 system. 'GS1' stands for the 'Global Standards One'.

7233 Packaging related description code
Code specifying information related to packaging.

52 Package barcoded UCC or EAN-128
The package is barcoded with UCC or EAN-128 code.

7405 Object identification code qualifier
Code qualifying the identification of an object.

BJ Serial shipping container code
GS1 Description:
A single unique serial number which identifies shipping containers or shipping packages.

Example

UNA:+.?'

The UNA segment contains the default service string characters.

UNB+UNOC:3+4012345000009:14:4012345000018+4000004000002:14:4000004000099+161013:1043+4711+REF:AA++++EANCOM+1'

The EANCOM file 4711 dated 13.10.2016, 10 h 43 is sent by the issuer identified with GLN 4012345000009 to the receiver identified with GLN 4000004000002.

UNH+ME000001+RETANN:D:01B:UN:EAN003'

The reference number of the RETANN message is ME000001.

BGM+70E::9+87441+9'

The Document Number is 87441.

DTM+137:20160823:102'

The document date is the 23th of August 2016.

RFF+AAK:4710'

The message references to despatch advice number 4710.

RFF+DQ:4714'

The message references to delivery note number 4714.

RFF+ON:3425'

The message references to buyers order number 3425.

NAD+SU+4012345000009::9'

The supplier/manufacturer is identified by Global Location Number (GLN) 4012345000009.

RFF+GN:HRB-471111'

German statements on business letters: HRB-471111

NAD+BY+4398765000004::9'

The buyer is identified with the Global Location Number (GLN) 4398765000004.

NAD+SF+4399899175941::9+Text1:Text2:Text3:Text4:Text5+X GmbH:X:X+Moorweg 3+Hamburg+HH+22055+DE'

The ship from place / place of loading has the GLN 4399899175941.

LIN+1++4000004000035:SRV'

The item announced for return with the item number 3 is identified by GTIN 4000004000035.

PIA+5+ABC5343:SA::91'

Only if LIN does not provide a GTIN: Item identification in PIA

MEA+AAE+NPP+PCE:10'

There are 10 pallet places.

MEA+AAE+G+KGM:20'

The gross weight of the position is 20 kilograms.

LOC+14+4056786542381::9'

The goods are at the location with GLN 4056786542381

LOC+7+4056786542459::9'

The GLN of the delivery place is 4056786542459.

QTY+445:20'

The return quantity amounts to 20 pieces of the article no. described in the LIN segment. (GTIN).

CDI+1+4::246'

Example

Article damaged.

RFF+AAK:4710'

The current line item references to despatch advice number 4710.

RFF+DQ:4714'

The current line item references to delivery note number 4714.

RFF+ON:3425'

The current line item references to buyers order number 3425.

PAC+10+:52+201::9'

10 Pallets ISO 1 - 1/1 EURO Pallet

PCI+33E'

The shipment item contains a SSCC.

GIN+BJ+354123450000000014'

The SSCC is 340123450000000014

UNS+S'

Separation between detail and summary section

UNT+26+ME000001'

The message contains 26 segments.

UNZ+1+4711'

The transmission file contains 1 message.
